

F I S H E R & P A Y K E L

ACTIVESMART™ INTEGRATED FRENCH DOOR REFRIGERATOR FREEZER

RS36A80 models

INSTALLATION GUIDE

US CA

844183D 11.24

TABLE OF CONTENTS

Safety and Warnings	4
Components list	5
Tools	7
Appliance and cavity dimensions	8
Cabinetry options	9
Stainless steel door panel and toe kick dimensions	10
Custom door panel and toe kick dimensions	11
Custom door panel installation dimensions	12
Custom door panel installation template	13
Door clearance	14
Electrical and plumbing	15
Before installation	17
Cavity preparation	19
Water & power supply connection	20
Top trim installation	21
Side bracket installation	22
Positioning into cabinetry	23
Aligning inside cabinetry	24
Door panel installation – stainless steel	25
Door panel installation - custom	29
Fixing to cabinetry	35
Water filter installation	36
Toe kick installation	37
Door and drawer trims installation	39
Cabinet trims installation – [a] flexible spring clip method	40
Cabinet trims installation – [b] fixed screw method	42
Final checklist	44

⚠ WARNING!



Electric Shock Hazard
Read and follow the safety and warnings outlined in this installation guide before operating this appliance. Failure to do so can result in death, electric shock, fire or injury to persons.

⚠ WARNING!



Cut Hazard
Take care—panel edges are sharp. Failure to use caution could result in injury or cuts.

⚠ WARNING!



This appliance is top-heavy and must be secured to prevent the possibility of tipping forward.
To ensure that the appliance is stable under all loading conditions, the anti-tip bracket and fittings supplied must be installed according to the following installation instructions by a professional installer.

READ AND SAVE THIS GUIDE

- It is very important for the installer to follow the instructions in this installation guide to ensure proper installation and operation of the appliance. Ensure that you read the installation guide thoroughly and understand all information.
- The water connection to your ice and water appliance must be installed by an authorized plumber or Fisher & Paykel trained and supported service technician and comply with all state and local laws.
- Installation and use **MUST** comply with all state and local plumbing codes. Check with your local public works department for plumbing codes. You must follow their guidelines as you install the water filtration system.
- To avoid serious illness or death, only connect your water filter to safe drinking water.
- The water filter cartridge needs to be changed when the replacement indicator icon illuminates. This will happen every 6 months.
- If the water filtration system has been allowed to freeze, replace filter cartridge. Failure to replace the disposable filter at recommended intervals may lead to reduced filter performance and failure of the filter, causing property damage from water leakage or flooding.
- In cases of excessively reduced filter life—we recommend that you consult a local plumber or your water supplier for advice on suitable filtration requirements for the water supplied to your home.
- Filter replacement is the consumer’s responsibility and will not be covered by the warranty except in the case of faulty parts or materials within the filter cartridge.
- If the water has not created ice for some time or ice has an unpleasant taste or odor dispose of ice and refer to the flushing instructions detailed in the installation section of this user guide/installation guide. If unpleasant taste or odor persists, you may wish to fit a new filter cartridge.
- Use new tubing supplied with the appliance. **DO NOT** reuse old tubing from old water and ice connections.
- Your water filtration system can withstand up to 120psi (827kPa) of water pressure. Ensure the supplied pressure reducing valve is installed before installing the water filtration system. **DO NOT** install if water pressure exceeds 120psi (827kPa).

To reduce the risk associated with property damage due to water leakage or flooding:

- **DO NOT** install systems in areas where ambient temperatures may go above 100°F (38°C) or drop below 33°F (0.6°C).
- **DO NOT** install on hot water supply lines. The maximum operating water temperature of this filter system is 100°F (38°C).
- **DO NOT** install where water hammer conditions may occur. If water hammer conditions exist, you must install a water hammer arrester.

WARNING!

To reduce the risk associated with choking:

- **DO NOT** allow children under 3 years of age to have access to small parts during the installation of the water filter.

COMPONENTS LIST

Internal box

Located inside appliance

A Anti-tip bracket assembly kit



Anti-tip bracket
(1)



Masonry plug
(4)



#10x40 cross-head screw
(4)

B Door panel attachment kit



Side bracket
(10)

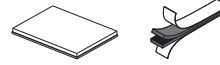


Side strap
(10)



#8x16 mush washer (Custom) screw
(36)

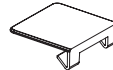
C Door/drawer trim install kit



Dual adhesive tabs (6 per strip)
(12)



Side cover
(4)



Top cover
(2)

D Cabinet side trim install kit



Side trim bracket
(6)



Spring clip
(6)



#8x16 mush washer screw
(12)

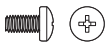
E Top trim install kit



Cabinet top trim bracket
(2)

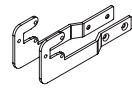


M5 nut
(4)



M5x8 cross-head screw
(4)

F Side bracket kit



Side base brackets (right/left)
(2)



M5x8 countersunk cross-head screw
(4)



M5x10 cross-head screw
(10)

G Fixing bracket kit



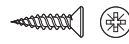
Fixing bracket
(2)



M5x8 countersunk cross-head screw
(8)

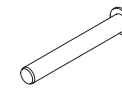


Screw cover
(4)



#8x19 twin thread screw
(8)

Miscellaneous components



Hinge limiting pin
(1)



#8x16 Pan head screw
(3)

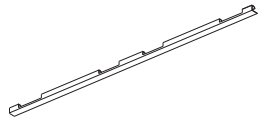


Dual adhesive tabs (6 per strip)
(6)

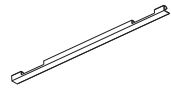
COMPONENTS LIST

External box

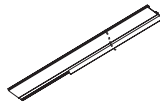
Located at back panel of appliance



Door side trim
(2)



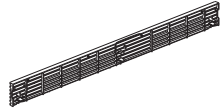
Drawer side trim
(2)



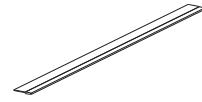
Cabinet side trim
(2)



Top trim
(1)



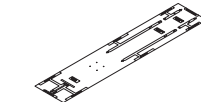
Top grille
(1)



Drawer top trim
(2)



Toe kick
(1)

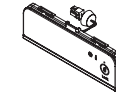


Double-sided door panel template
(1)

Ica and Water display

(Ice and water models only)

Located inside the appliance



External display module
(1)

Miscellaneous items pack

Located inside appliance



User guide
(1)



Service & Warranty
(1)



Installation guide
(1)



Air flow divider
(1)



Filter cartridge tool
(1)

Water filter install kit

Located inside appliance



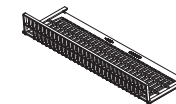
Water filter
(1)



1/4" (6mm) Stainless steel
braided hose (1)

Toe kick filter

Located inside appliance



Toe kick filter
(1)

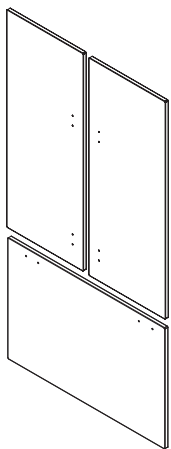
COMPONENTS

Door panel set

Not supplied and must be purchased separately

Stainless steel (Fisher & Paykel) door panel set:

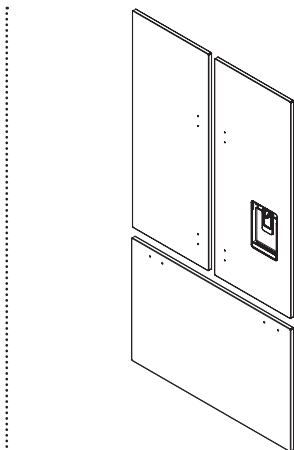
Includes 2x French door panels and 1x drawer panel.



Ice only door panel set
(RD3680/RD3684)



M5x14 Mushroom cross-head (SS)
screw (34x)



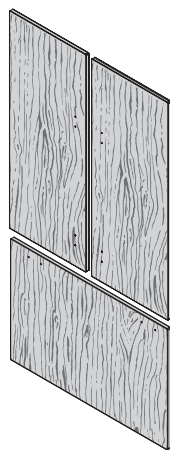
Ice & Water door panel set
(RD3680U/RD3684U)



M5x14 Mushroom cross-head (SS)
screw (34x)

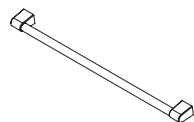
Custom door panel set:

Supplied by customer to match their cabinetry.
Applicable for Ice only appliance models.

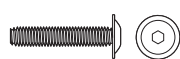


Door handle kit

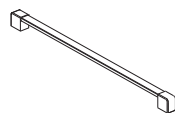
Not supplied and must be purchased separately. Select between the following options below



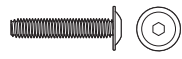
Professional rounded
door handle (3x)



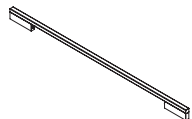
M5x25 pan head socket
screw (12x)



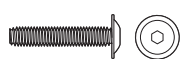
Professional square
door handle (3x)



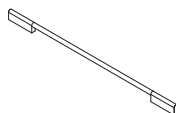
M5x25 pan head socket
screw (12x)



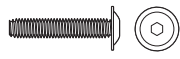
Contemporary square
door handle (3x)



M5x25 pan head socket
screw (12x)



Contemporary round
door handle (3x)

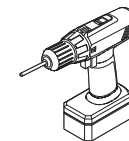


M5x25 pan head socket
screw (12x)

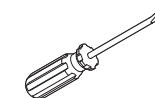
TOOLS

Required tools

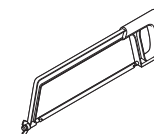
Not included with appliance



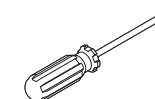
Cordless drill



Flathead screwdriver



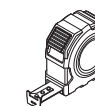
Hacksaw



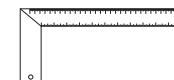
Cross-head screwdriver



Cutter



Measuring tape



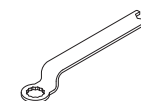
Ruler



Pencil

Supplied tools

Included in internal box

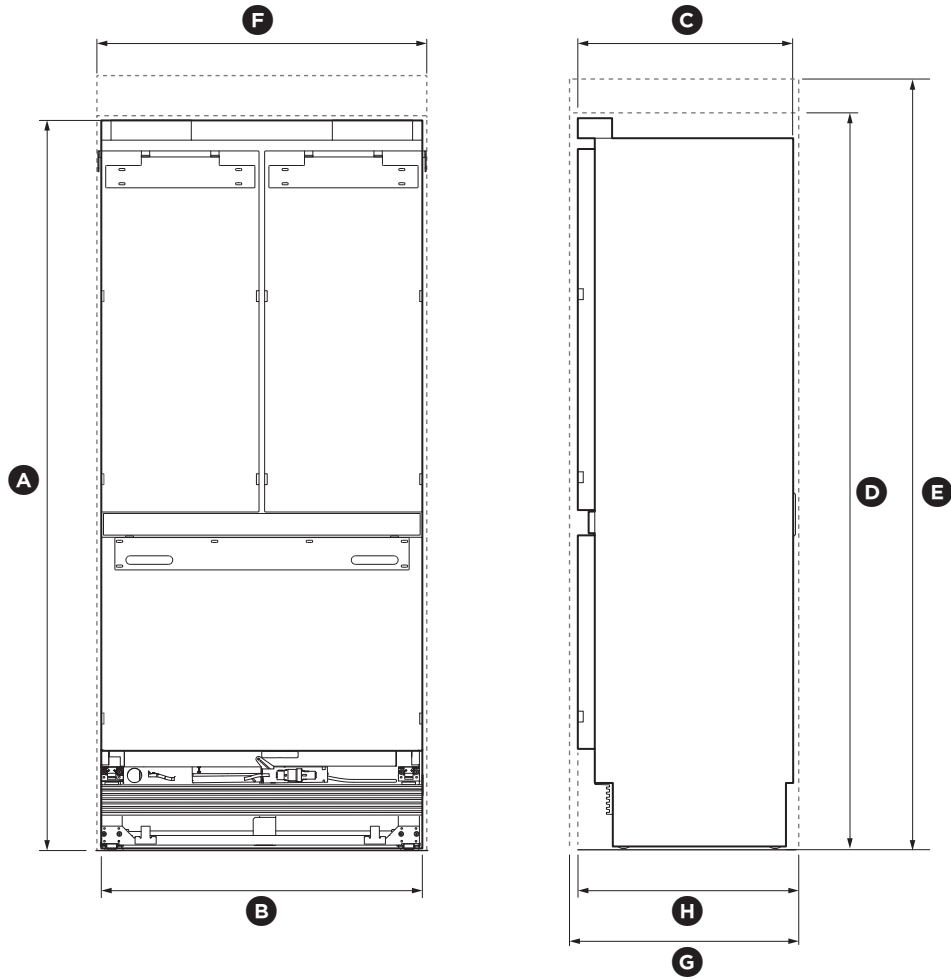


FPA spanner
(1)



Hex key
(1)

APPLIANCE AND CAVITY DIMENSIONS



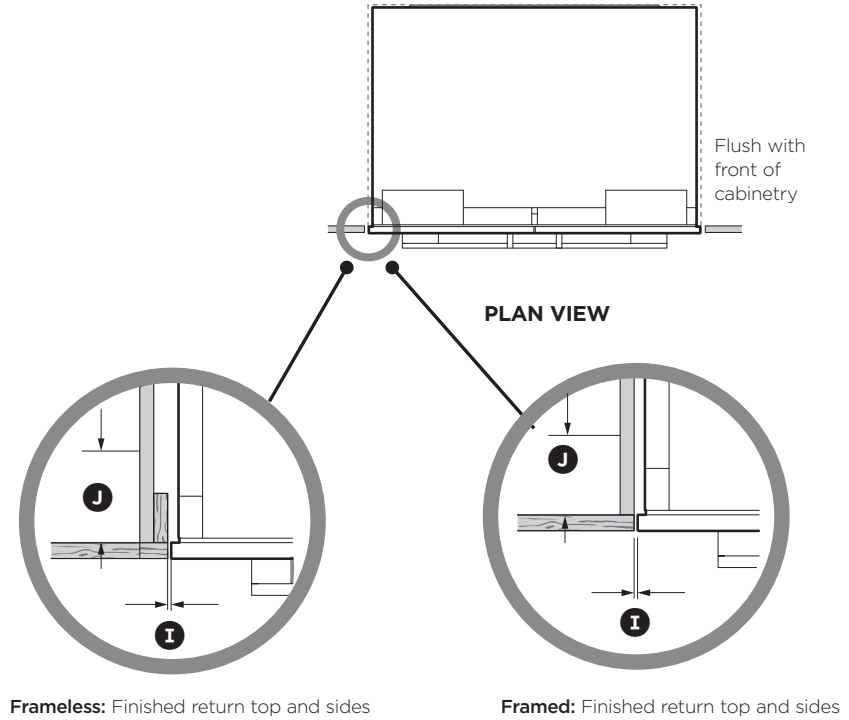
FRONT VIEW

SIDE VIEW

APPLIANCE DIMENSIONS	in	mm
(A) Overall height of appliance*	79 13/16	2028
(B) Overall width of appliance	35 11/16	906
(C) Overall depth of appliance (without door panels)	23 3/4	603

IMPORTANT!

For ease of installation, ensure cavity width is consistent top to bottom and height is consistent left to right.

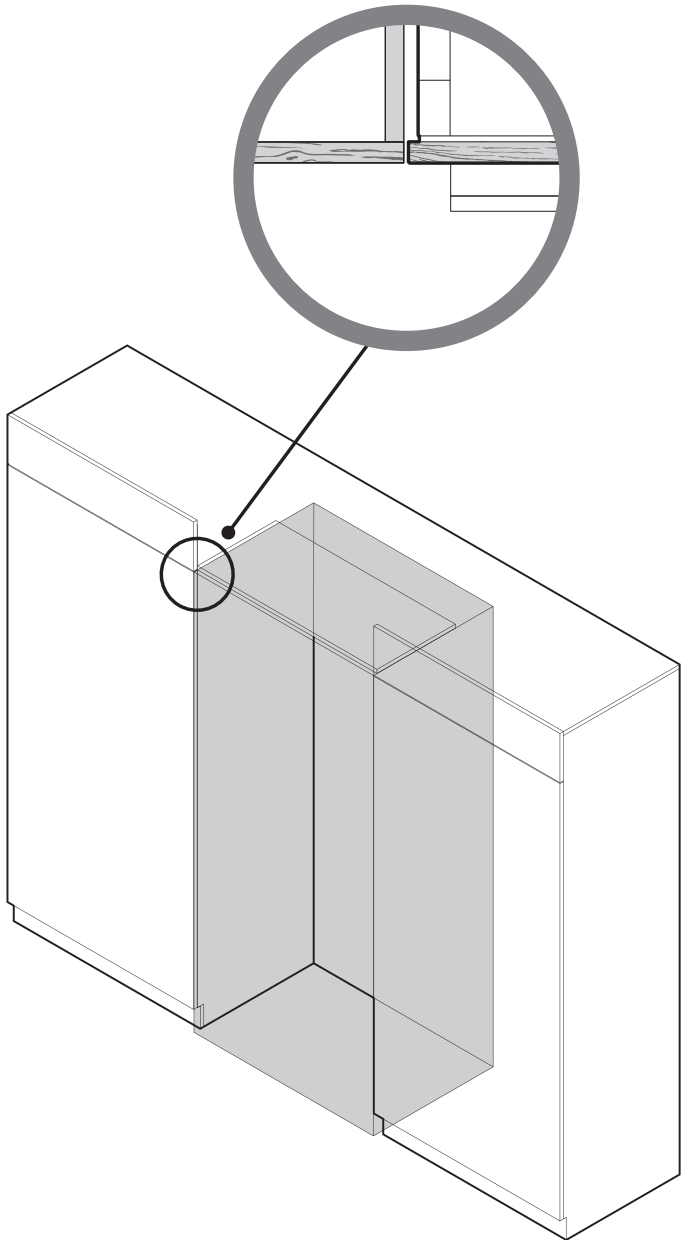


CAVITY DIMENSIONS	in	mm
(D) Overall height of cavity (for appliance using RD3680 door panel set)	80	2032
(E) Overall height of cavity (for appliance using RD3684 door panel set)	84	2134
(F) Overall width of cavity	36	914
(G) Overall depth of cavity (for flush installation)	25	635
(H) Overall depth of cavity (for proud installation)	24 3/4	629
(I) Minimum cabinetry gap clearance from edge of appliance	3/16	4
(J) Minimum required finished return	min. 3 1/2	min. 89

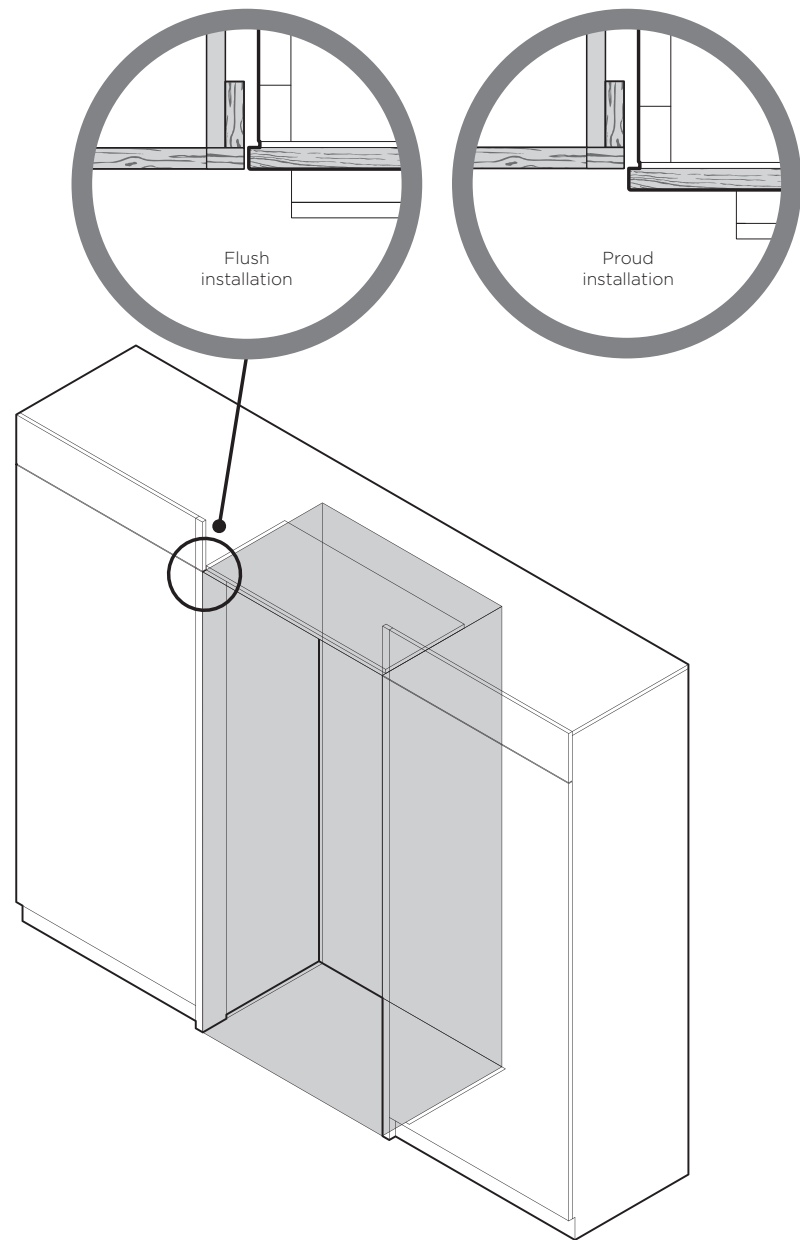
* Includes mounted feet

CABINETY OPTIONS

FRAMELESS CABINETY
(Aligns the appliance with the cabinetry)

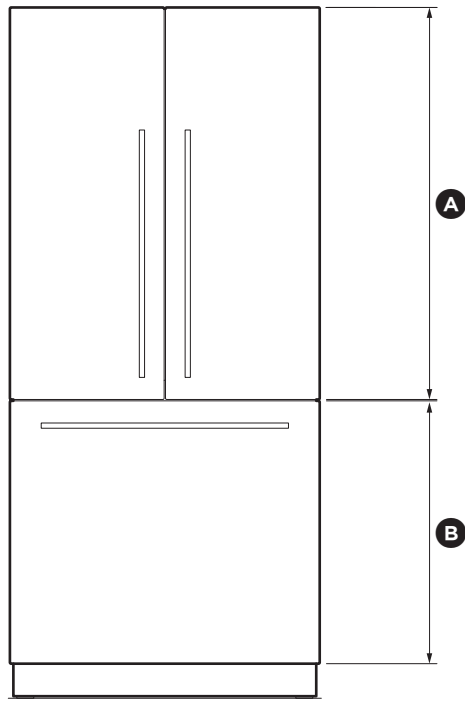


FRAMED CABINETY
(Aligns the appliance with the frame of the cabinetry)

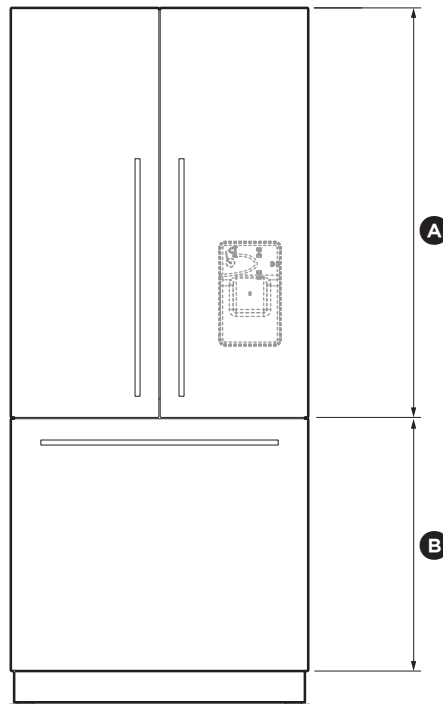


Note: Drawings are only for reference and not the actual cavity width of the cabinetry.

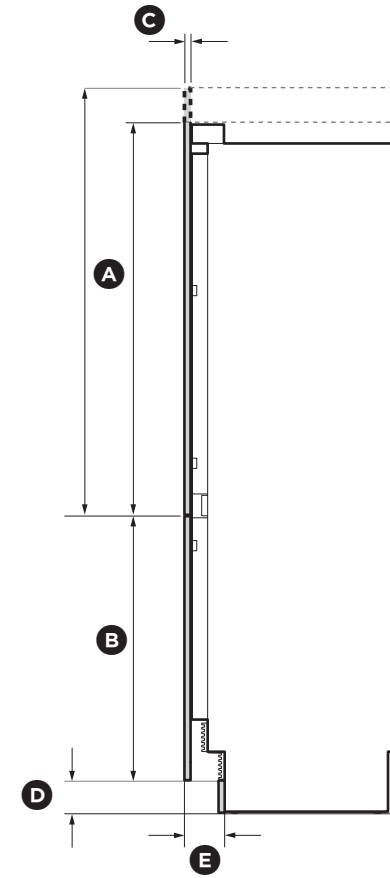
STAINLESS STEEL DOOR PANEL AND TOE KICK DIMENSIONS



RD3680 DOOR PANEL SET



RD3684U DOOR PANEL SET



DOOR PANEL SETS DIMENSIONS	RD3680 / RD3680U		RD3684 / RD3684U	
	in	mm	in	mm
(A) Height of top door panels	45 1/4	1150	49 5/16	1252
(B) Height of bottom drawer panel	30 3/8	772	30 3/8	772
(C) Depth of appliance front panels (excluding handles)	3/4	19	3/4	19

Note:

- Fisher & Paykel Stainless steel door panels are not supplied and must be purchased separately.
- Model no. RD3680 / RD3684 (Ice only model) and model no. RD3680U / RD3684U (Ice and Water model).

DOOR PANEL WEIGHT	lbs	kg
Maximum weight of each top door panel (with handle)	22	10
Maximum weight of each drawer panel (with handle)	24 1/4	11

TOE KICK PANEL DIMENSIONS	in	mm
(D) Height of toe kick panel	4	102
(E) Depth of toe kick (measured from front of door panels)	4 3/4	120

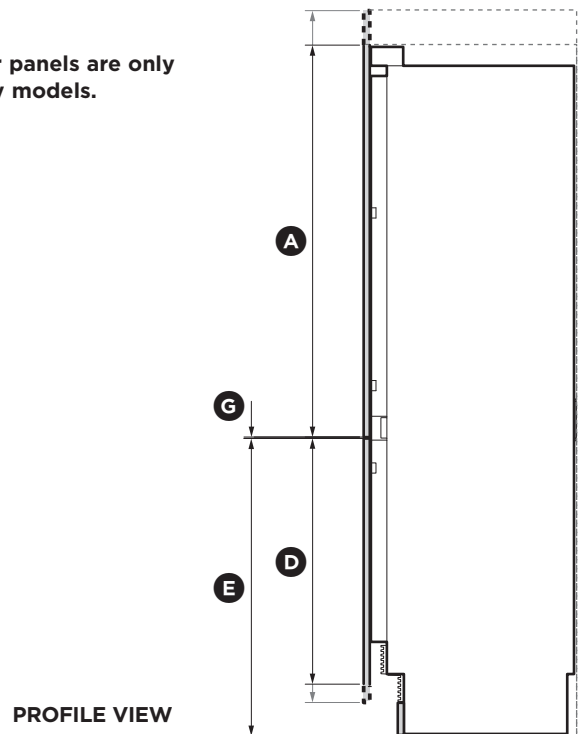
Note:

- Stainless steel toe kick, height 4" (102mm) is supplied with the appliance. Customers need to supply their own custom toe kick, height 4 - 6" (102 - 152mm).
- For toe kick greater than 4, shorten the height of the bottom grille accordingly. Refer to 'Toe kick installation' for more information

CUSTOM DOOR PANEL AND TOE KICK DIMENSIONS

IMPORTANT!

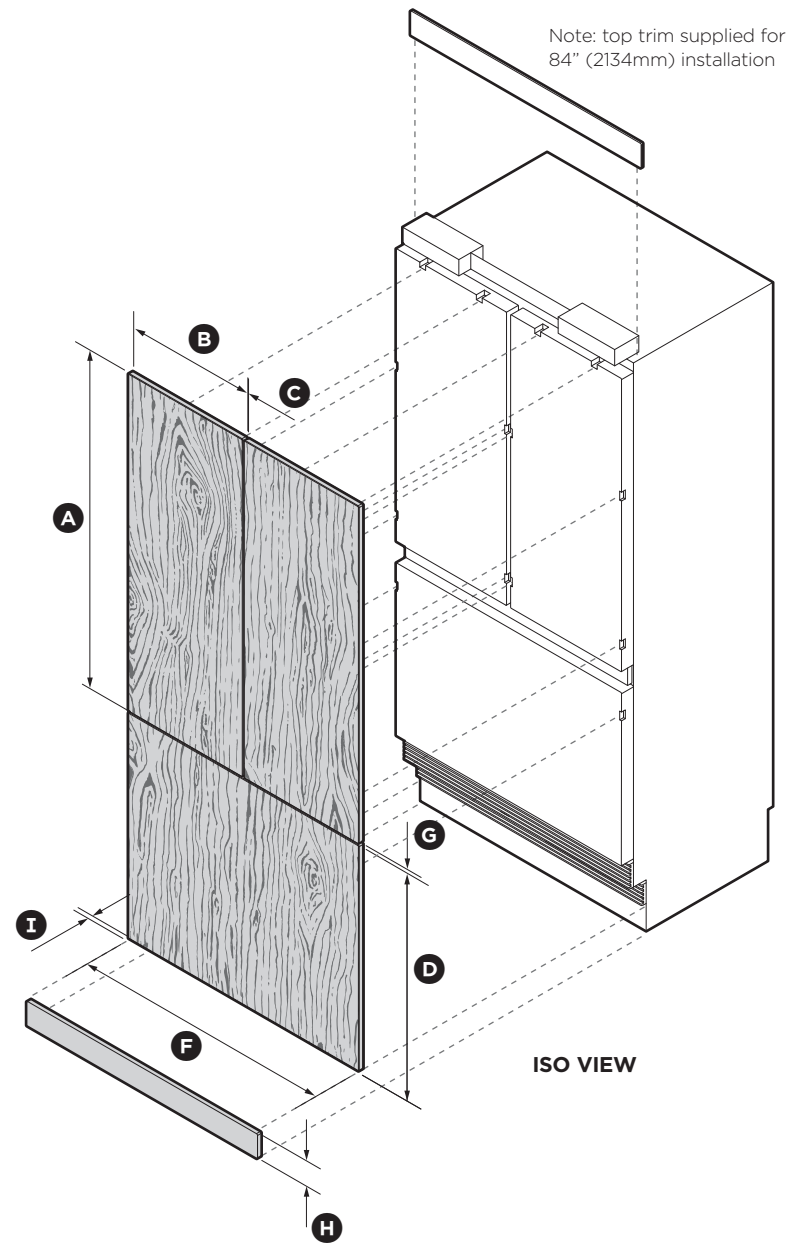
Custom door / drawer panels are only applicable for Ice only models.



DIMENSIONS	in	mm
Ⓐ Height of top door panel	45 1/4-49 5/16'	1150-1252
Ⓑ Width of top door panel	17 3/4	451
Ⓒ Gap between top door panels	3/16	4
Ⓓ Height of bottom drawer panel	28 7/16-30 3/8	722-772
Ⓔ Height from bottom of appliance to top of bottom drawer panel	34 7/16	874
Ⓕ Width of bottom drawer panel	35 11/16	906
Ⓖ Gap between top door panels and bottom drawer panel	3/16	4
Ⓗ Height of toe kick panel	4-6	102-152
Ⓘ Depth of custom door panels	min. 3/16-max. 3/4	min. 16-max. 19

Note:

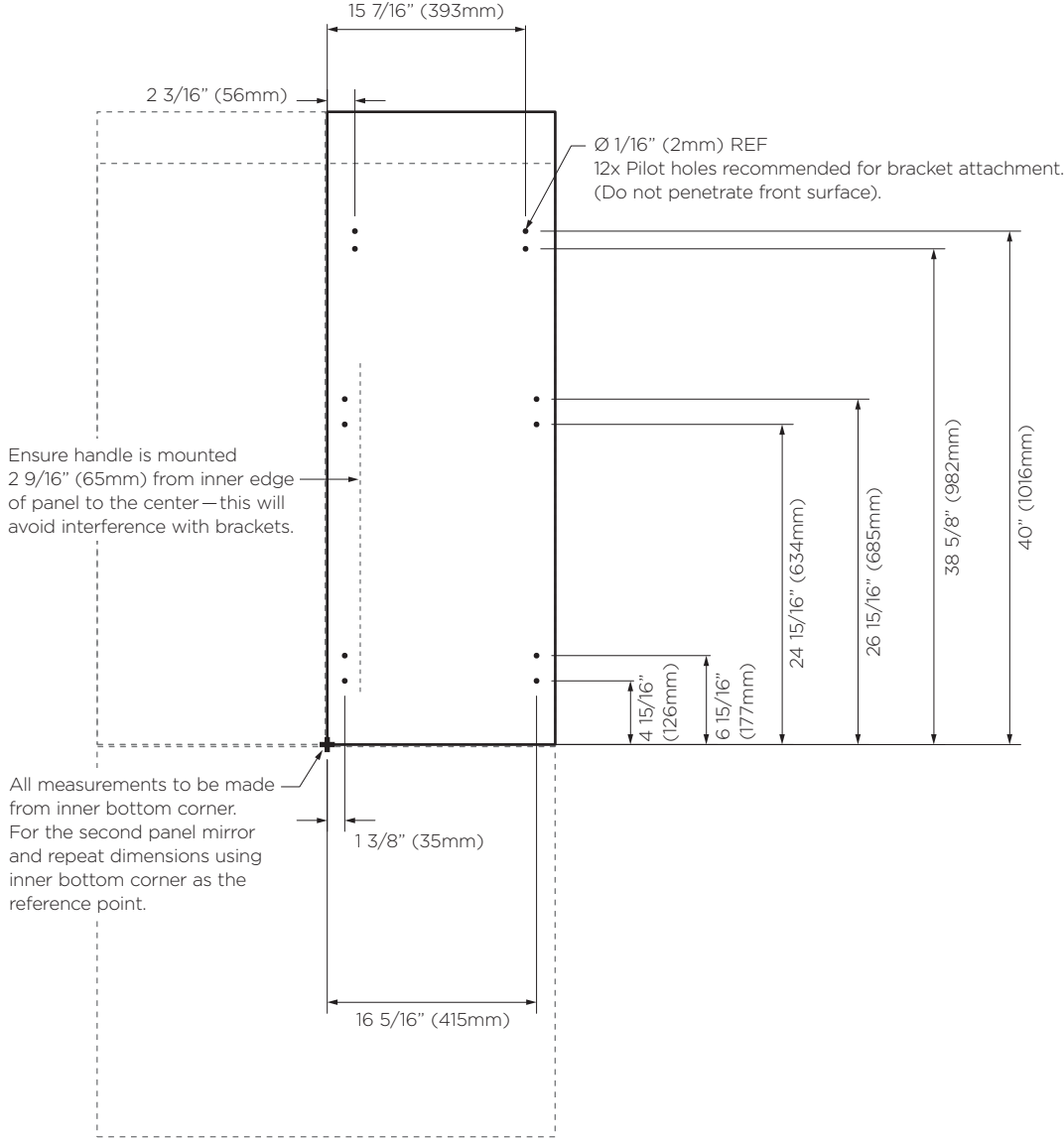
- Custom door panels to be manufactured and fitted by cabinetmaker.
- Custom toe kick should be designed at 4-6" (102-152mm) relative to door/drawer panel height.
- For toe kick greater than 4, shorten the height of the bottom grille accordingly. Refer to 'Toe kick installation' for more information.



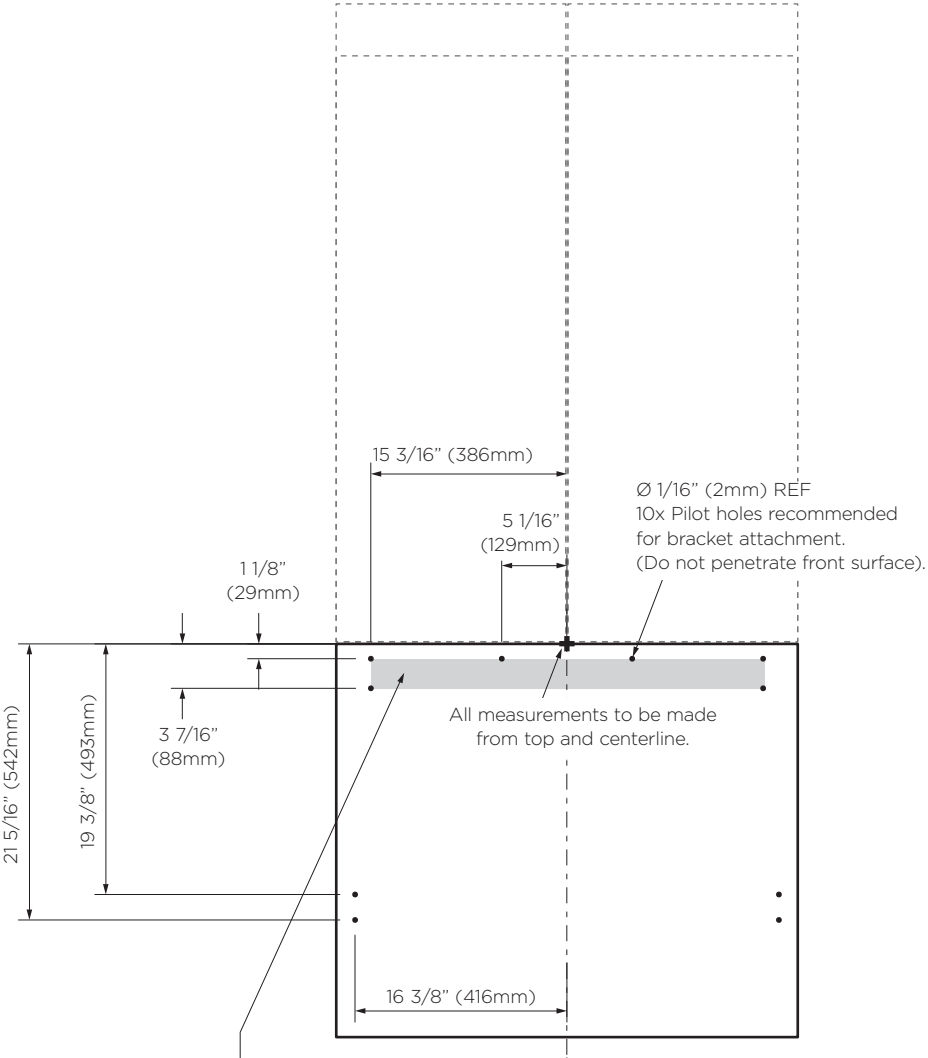
Custom door panels can only be used for Ice only models.

CUSTOM DOOR PANEL INSTALLATION DIMENSIONS

The drawings below apply to Ice only models RS36A80J. Dimensions apply for the preparation and installation of custom door panels. For Dwg and Dxf files of the below panel preparation download the folder on thekitchentools.fisherpaykel.com.



TOP PANEL — REAR VIEW



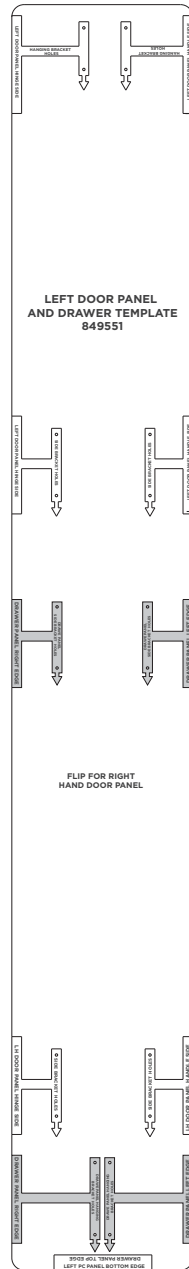
Cut outs are located in attachment bracket for Fisher & Paykel handles only. If locating custom handle in the shaded area above, ensure handle screw heads are counter sunk into back of panel to avoid interference with hanging bracket.

BOTTOM PANEL — REAR VIEW

CUSTOM DOOR PANEL INSTALLATION TEMPLATE

This template is a double-sided sheet used as a guide to drill screw holes for installing your Custom door and drawer panels.

The template is included with this installation guide. Refer to 'Door panel installation – Custom' for more information.

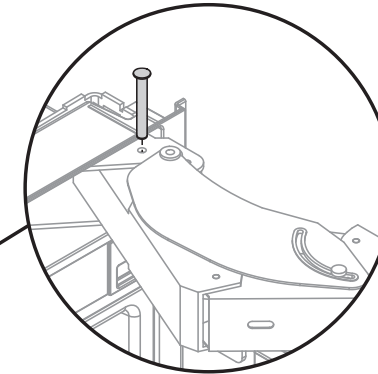
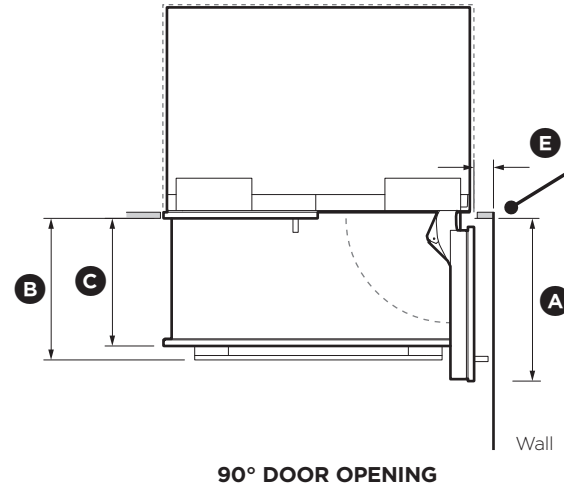
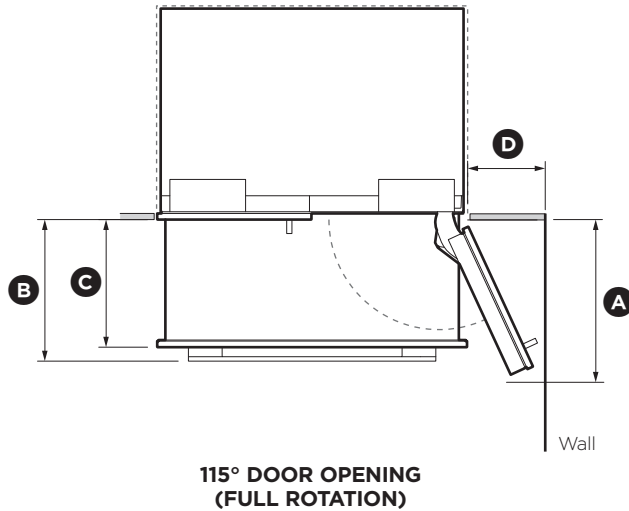


LEFT DOOR
PANEL SIDE



RIGHT DOOR
PANEL SIDE

DOOR CLEARANCE



Insert Limiting Pin

WARNING!

- Before opening the doors, ensure that the appliance is stable.
- Follow these steps to avoid risks that can cause serious injury or death.

For 90° door swing, a hinge limiting pin is supplied with your appliance. This pin fits in the bore holes of the top hinge.

- ① Open door to 90°.
- ② Insert the hinge limiting pin vertically into the bore hole.
 - Apply a gentle tap to the pin if it does not slide smoothly.

DIMENSIONS	in	mm
Ⓐ Depth of door (widest opening) measured from front of door	18 7/8	480
Ⓑ Depth of drawer (open) measured from front of drawer, including handle	15 3/4	400
Ⓒ Depth of drawer (open) measured from front of drawer, excluding handle	14 3/16	360
Ⓓ Minimum door clearance* to adjacent wall (115° - full internal access)	12 3/8	315
Ⓔ Minimum door clearance* to adjacent wall (90° - reduced internal access)	4 5/16	110

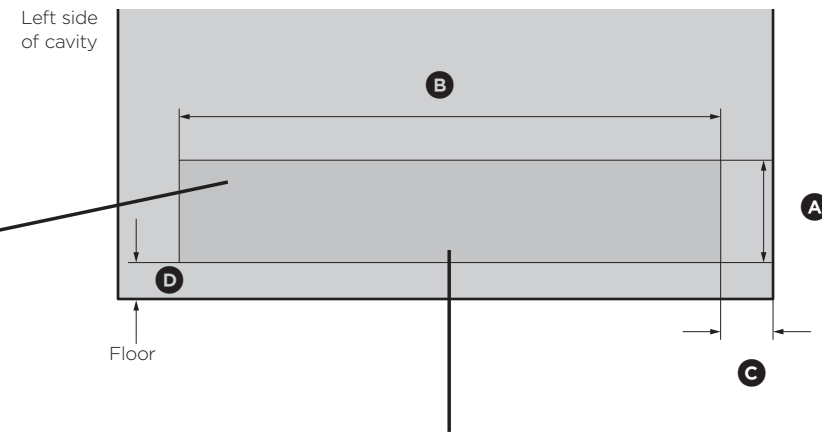
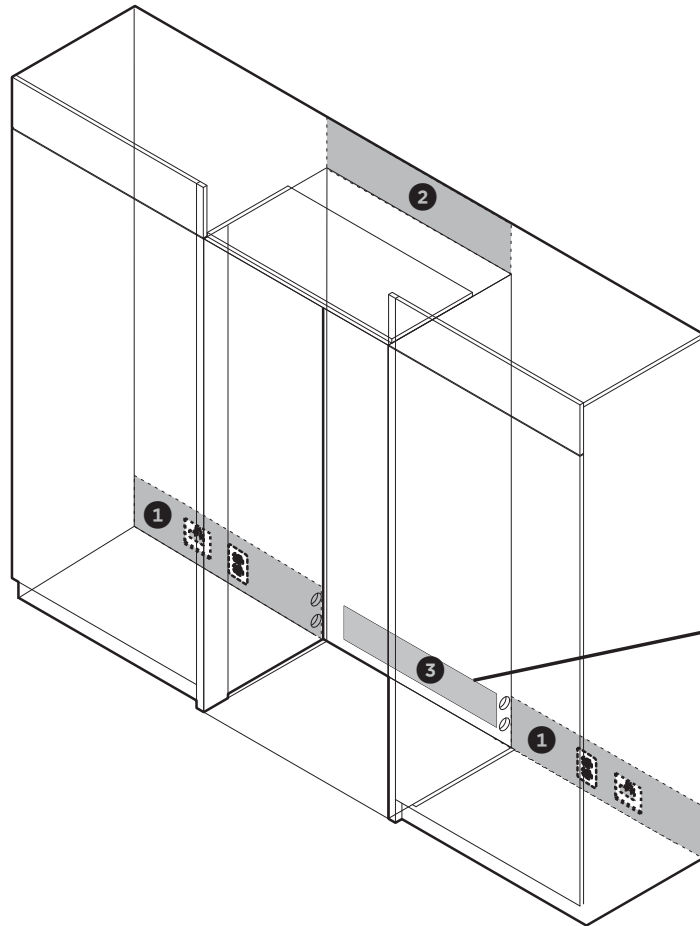
* Measured from front cabinetry edge. An additional 3/4" (20mm) is required when using RD3680 and RD3684 door panel sets.

IMPORTANT!

- Electrical connection should be located in an adjacent cabinet to either side of the appliance or above the appliance cavity.
- We recommend to use an isolating switch that is easily accessible to the user after the appliance is installed.

WARNING!

- Electrical shock hazard. Assume all parts are live.
- Disconnect supply before servicing and installation.



Electrical and water connections must be within this space if located behind the appliance

ELECTRICAL AND PLUMBING CONNECTIONS

- | | |
|---|---|
| ① | Recommended location for connections in adjacent area or unit |
| ② | Alternative location for connections above the cavity |
| ③ | Alternative location for connections at rear of cavity |

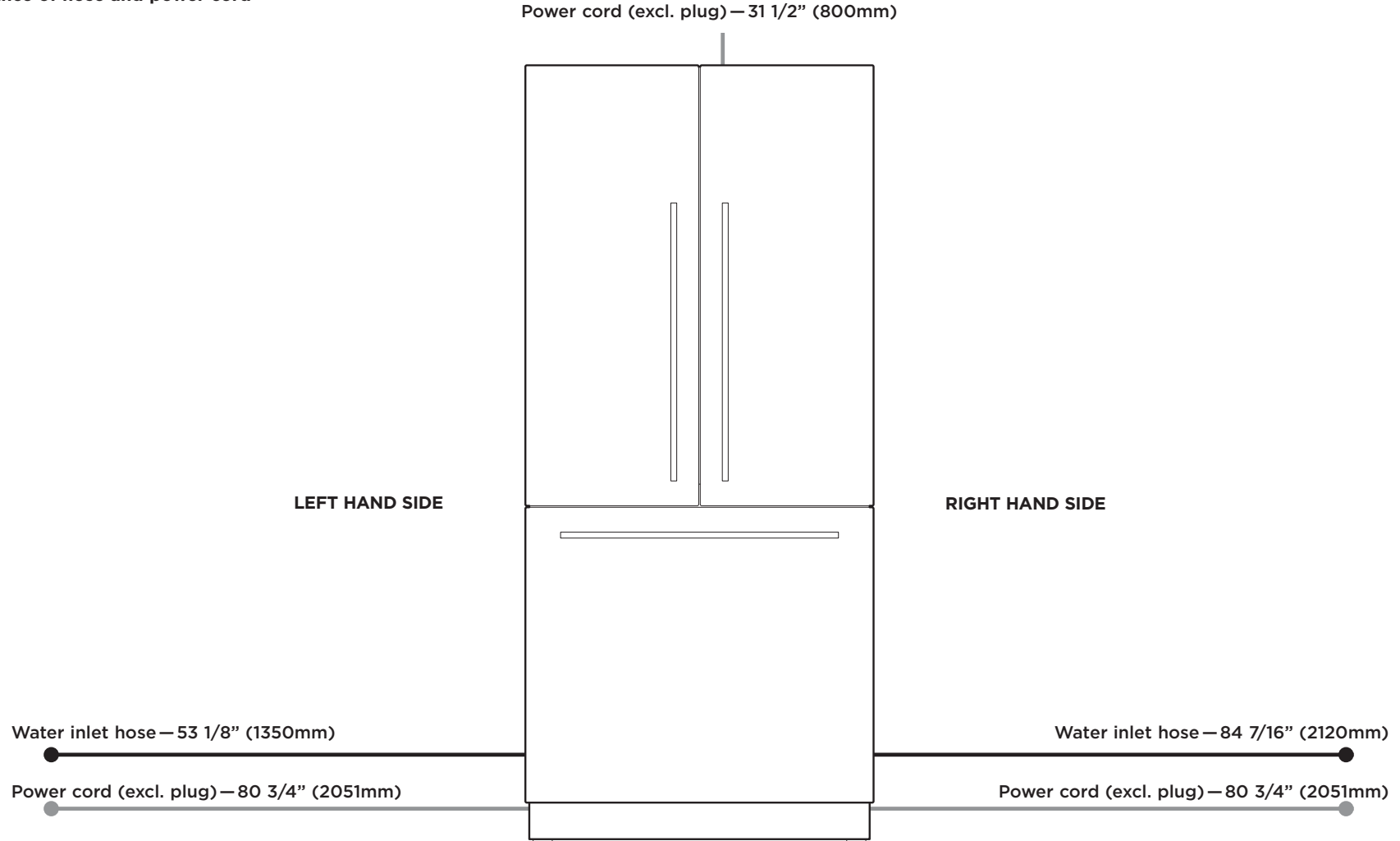
ELECTRICAL AND PLUMBING DIMENSIONS

	in	mm
Ⓐ	5 5/8	143
Ⓑ	29 3/4	756
Ⓒ	2 7/8	73
Ⓓ	2	51

Note: Dimensions are based on minimum depth of cavity.

ELECTRICAL AND PLUMBING

Maximum distance of hose and power cord



ELECTRICAL SPECIFICATIONS		PLUMBING SPECIFICATIONS	
Supply	115 V, 60Hz	Supply	1/4" (6mm) comp. Stainless steel braided hose
Service	10 amp circuit	Pressure	min. 22psi (150kPa) max. 120psi (827kPa) @ 68°F (20°C)

IMPORTANT!

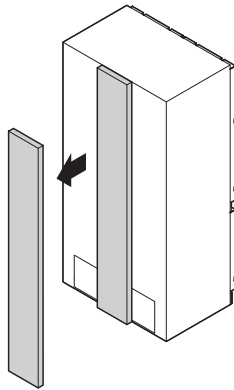
Be careful when unpacking to prevent damage to the surface of your appliance. Ensure that the appliance is stable to prevent from tipping over when unpacking. Do not open the doors to prevent the appliance from tipping over. The appliance is heavy and requires a minimum of 2 persons to unpack and install.

Ensure that the feet of the appliance are retracted. If the appliance is damaged, contact your Fisher & Paykel dealer. Take note of your model and registration numbers located at the lower right side of the appliance. You will need these to request for servicing or repair of your appliance.

Checking your appliance

- 1 Remove accessories box located at the back panel of appliance.

Refer to 'Components list' for contents of accessories box.



IMPORTANT!

Be aware when removing the carton that the accessories box may have dislodged from the rear of the appliance during transit.

- 2 Remove the water fittings and water filter kits, installation kit, and miscellaneous items pack from inside the appliance.

Refer to 'Components list'.



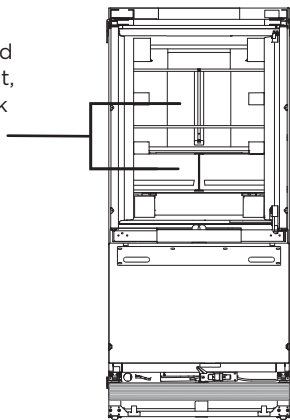
Water fittings and Water filter kits



Installation kit



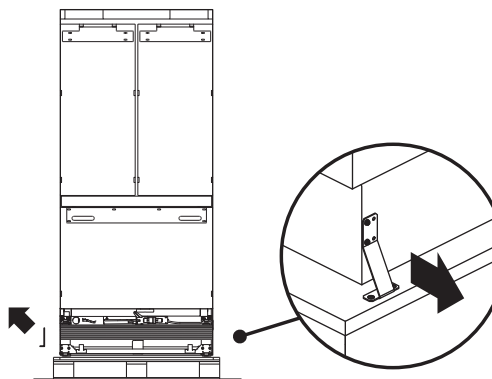
Miscellaneous items pack



Moving your appliance

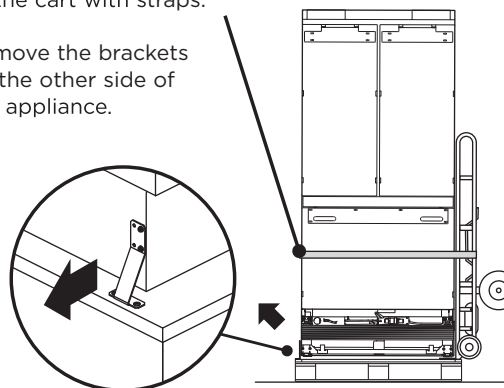
- 1 Remove the brackets from one side of the appliance. (For single door models, remove the brackets on the non-hinged side of the appliance).

Note: Location of brackets depends on the model of your appliance.



- 4 Restrain the appliance to the cart with straps.

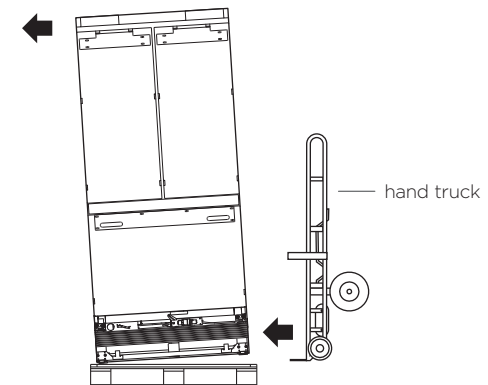
- 5 Remove the brackets on the other side of the appliance.



- 2 Tilt the appliance slightly to the opposite side.

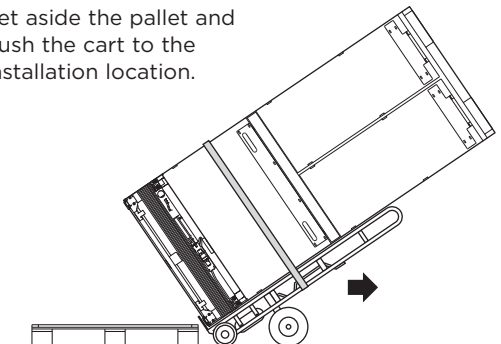
- 3 Insert the hand truck under the side of the appliance where the brackets were removed.

Do NOT insert the hand truck to the front or back of the appliance.



- 6 Tilt the appliance backward onto the cart.

- 7 Set aside the pallet and push the cart to the installation location.



BEFORE INSTALLATION

IMPORTANT!

- The appliance has front and rear rollers for moving the appliance forward and backward. Do not move the appliance sideways to avoid damaging the rollers or the floor covering / surface.
- The appliance must be installed by a qualified installer, or Fisher & Paykel trained and supported service technician to avoid faulty electrical connection and water leaks.

- All connections for water, electrical power and grounding must comply with local codes and ordinances and be made by licensed personnel when required.
- Avoid installation of the appliance/s under a ground fault circuit interrupter (GFCI).
- Ensure the appliance is installed properly. Improper installation that results in appliance failure is not covered under the appliance warranty.

Check installation location

① Check the cabinetry

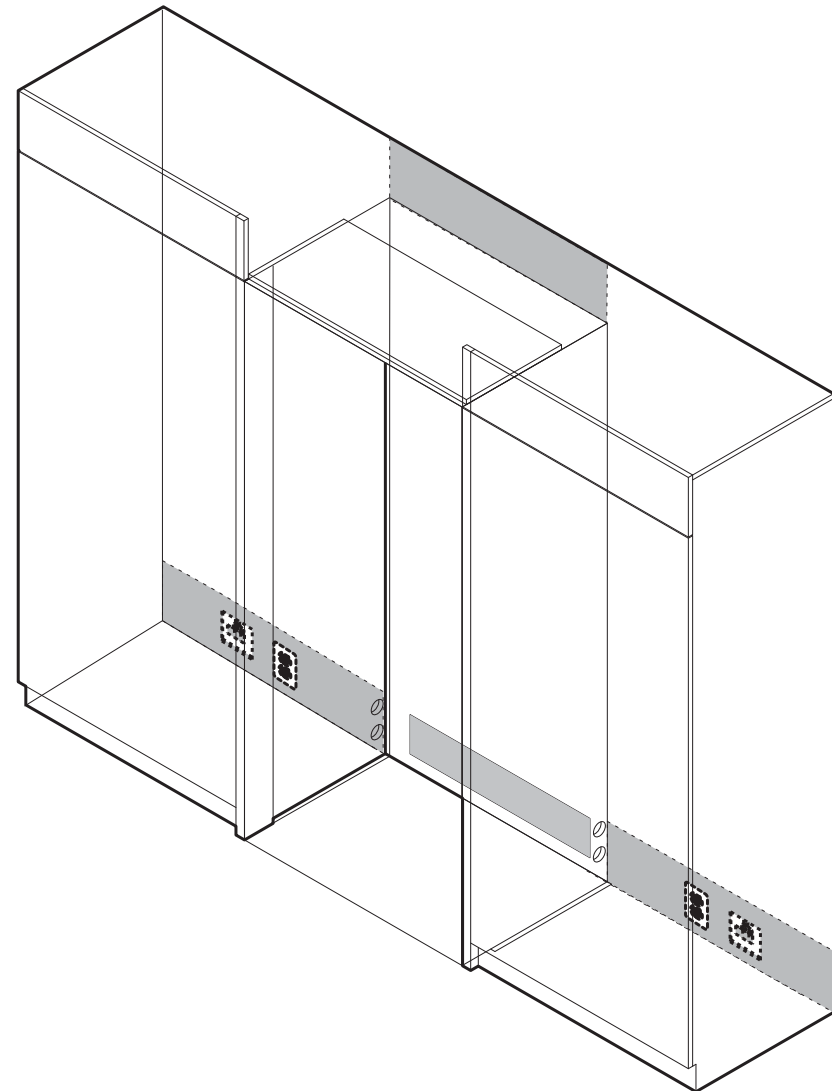
- Check the dimensions — height, width, depth, floor level, and finished alcove returns.
- Ensure that the ventilation openings in the cabinetry are clear of obstruction.
- For integrated installation, a finished return of solid material is required across the top and sides of the new or existing alcove.
- Refer to the 'Cavity Dimensions' table prior to installation of the appliance.

② Check the power supply

- Ensure that there is a separate power outlet for the appliance.
- Avoid sharing the power point with other appliances to prevent the appliance from accidentally switching off.
- For power requirements, refer to the information on the serial plate. This is located at the front right-hand side of the drawer when open.
- Ensure your appliance is properly grounded (earthed).
- Connect the appliance to the electrical supply (115VAC, 60Hz) with fitted plug and lead.
- We recommend to use an isolating switch that is easily accessible to the user after the appliance is installed.
- Follow the National Electrical Code and all local codes and ordinances when installing this appliance.

③ Check the water supply (for Ice & Water models only)

- Ensure that there is a separate water supply connection for the appliance.
- Your appliance must be installed by a qualified appliance installer as incorrect plumbing can lead to water leaks.
- Fisher & Paykel is not liable for damage (including water damage) caused by faulty installation or plumbing.



CAVITY PREPARATION

Internal box

A Anti tip bracket kit



Anti-tip bracket (1)

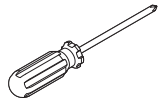


Masonry plug (4)

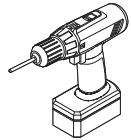


#10x40 cross-head screw (4)

Required tools



Cross-head screwdriver



Powered driver



Pencil

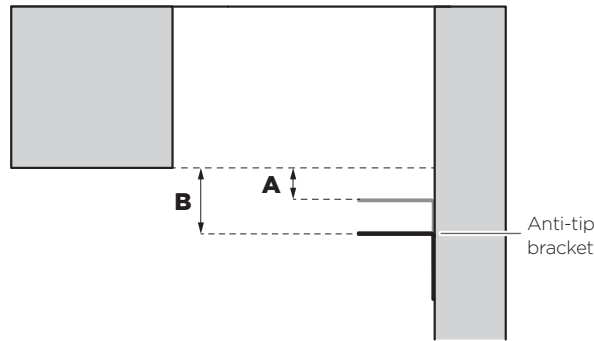
IMPORTANT!

- The anti-tip bracket and fittings supplied must be fitted to the wall of the finished enclosure to withstand 220lbs (100kg) load.
- Ensure that anti-tip bracket is installed correctly to prevent the appliance tipping forward when door is open.
- Ensure the bracket is secured to structural beams or wall studs nearest to the center of the alcove.

Attach anti-tip bracket

- Project horizontally from the bottom edge of the finished enclosure towards the center of the back wall.
 - For 80" (2134mm) cavity installation — measure 2 7/16" (62mm) downward from the projection line (**A**).
 - For 84" (2032mm) cavity installation — measure 6 7/16" (164mm) downward from the projection line (**B**).

This will locate the contact surface between the bracket and appliance.

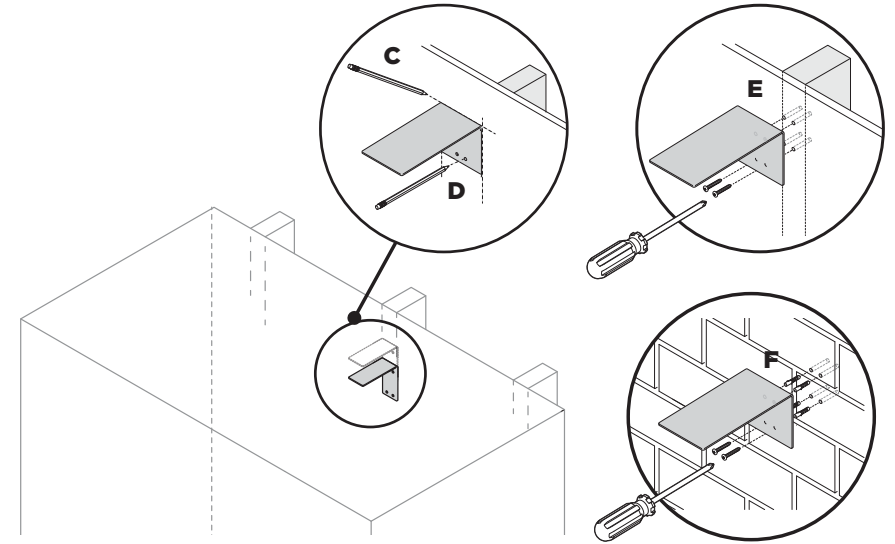


- Mark the location for placement of the anti-tip bracket. Place the bracket so the top edge of the contact surface aligns with the mark (**C**).
- Mark the locations of the screw holes on the wall based on the most central wall stud (**D**).
- Drill screw holes to the marked locations.
- For wooden/plaster board wall installation:**
 - Fix the bracket to the wall with #10x40 pan head cross-head screws, and screw tightly (**E**).
- For solid wall installation:**
 - Hammer masonry plugs into the wall until flush.
 - Fix the bracket to the wall with #10x40 pan head cross-head screws (4x), and screw tightly (**F**).

WARNING!

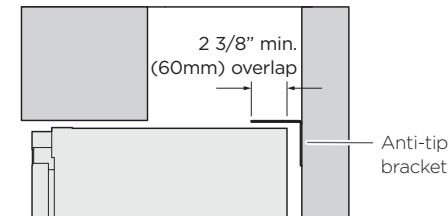
Read the following before fastening with masonry plugs and/or screws:

- Ensure the screws avoid electrical, gas and water conduits.
- Ensure lightweight masonry material such as cinder block and new concrete (no curing time) are not used in installation.
- Do not use metallic materials that may corrode, stain and/or damage the enclosure.

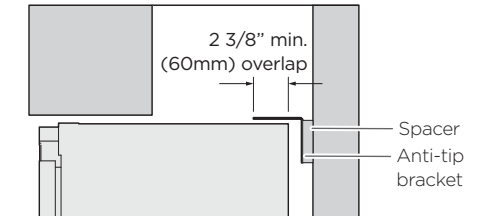


IMPORTANT!

When positioning the appliance in the cabinetry, ensure that the anti-tip bracket overlaps the refrigerator by a minimum 2 3/8" (60mm) for a secure hold.



If the minimum 2 3/8" (60mm) overlap cannot be achieved, install a solid spacer to the wall stud behind the bracket.



WATER & POWER SUPPLY CONNECTION

Water fittings kit

(Ice & Water models only)



1/4" (6mm) Stainless steel braided hose (1)

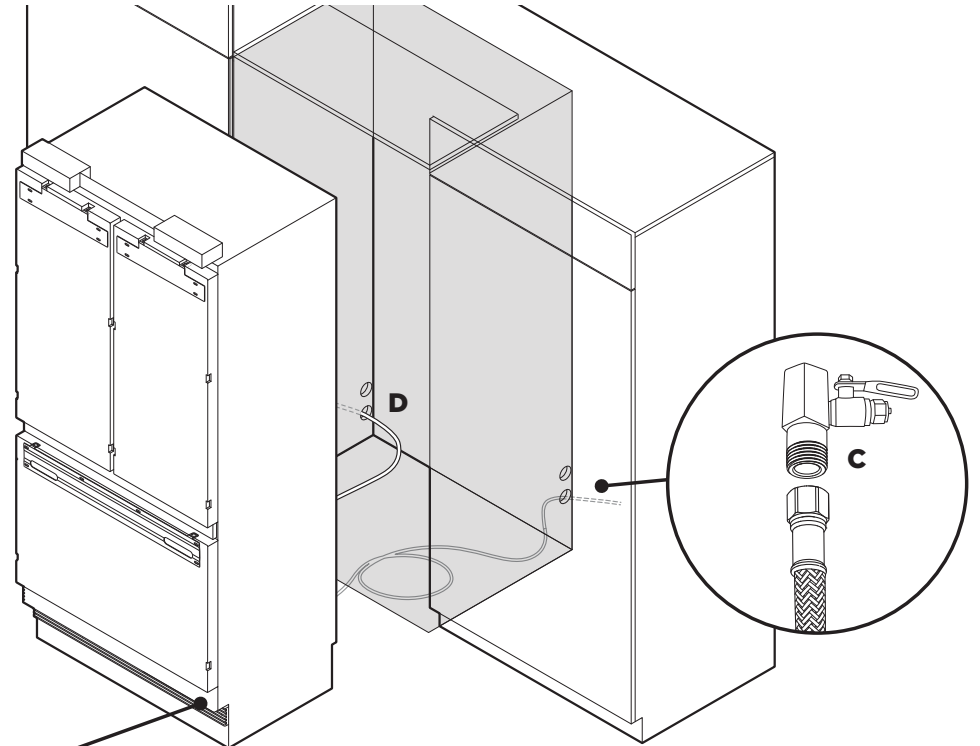
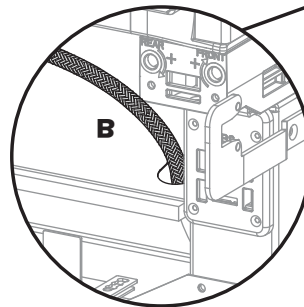
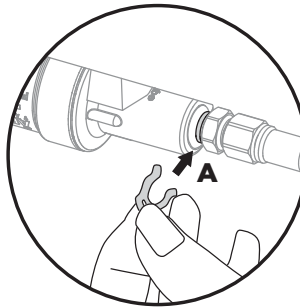
IMPORTANT!

- Ensure that the water connection is performed by a professional installer.
- The standard appliance includes a braided water line hose compatible with a brass adaptor.
- Ensure there is enough tubing for the water connection and to pull the appliance out for service, if required.
- Flush water through the hose prior to connection to the appliance to remove any debris in the hose.
- We recommend to use an isolating switch that can be accessed easily after the appliance is installed.

Connect to water & power supply

(for ice and water models only)

- ① Move the appliance in front of the cabinetry close enough to allow access behind for power and water connections.
- ② Connect one free end of the braided hose (**A**) to the threaded isolation valve fitting. Finger tighten until tight and then add one extra quarter turn with wrench.
- ③ Thread the free end of the water line hose into the hole located at the base and through the back of the appliance (**B**).



- ④ At the back of the appliance, loosely coil the water line hose (~2-3 times) and fasten the free end of the braided hose to the water supply (**C**).
 - Do not over-tighten the connection.
 - Turn ON the water supply and check that all connections are dry and free of drips.
- ⑤ Locate the power cord and connect the fitted plug to the electrical supply (115VAC, 60Hz) and turn the appliance ON.
 - We recommend to use an isolating switch that can be accessed easily after the appliance is installed.

TOP TRIM INSTALLATION

Internal box

E Top trim install kit



Cabinet top trim bracket (2)



M5 nut (6)



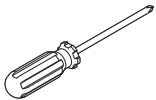
M5x8 cross-head screw (12)

External box

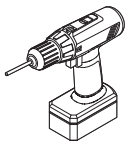


Top trim (1)

Tools



Cross-head screwdriver



Powered driver (optional)

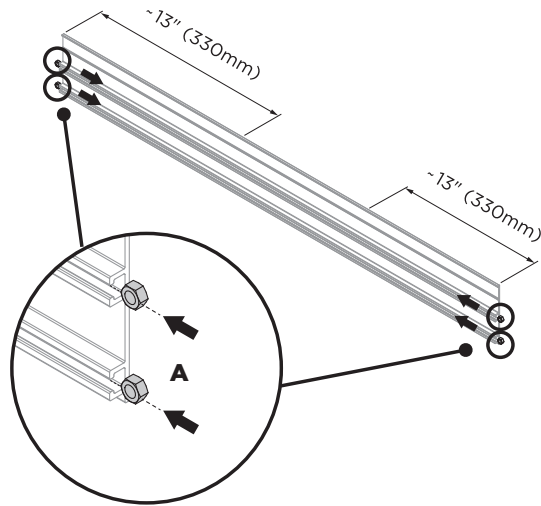
WARNING!

Be careful when working with the appliance outside of the finished enclosure.

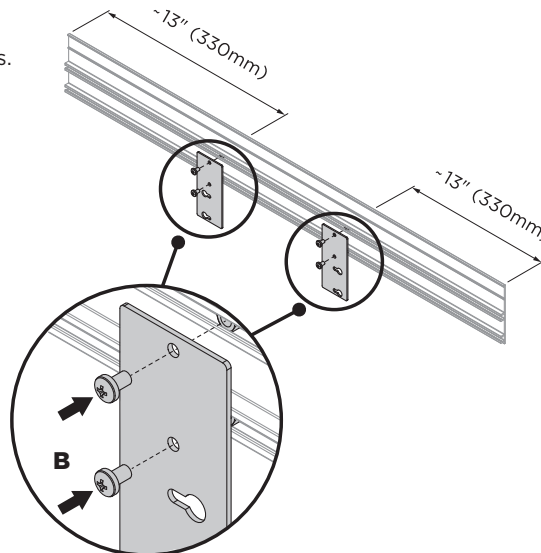
Ensure that the appliance is secured to prevent tipping forward. Tipping of appliance can lead to serious injury or death.

Install top trim — for 84" (2134mm cavity only)

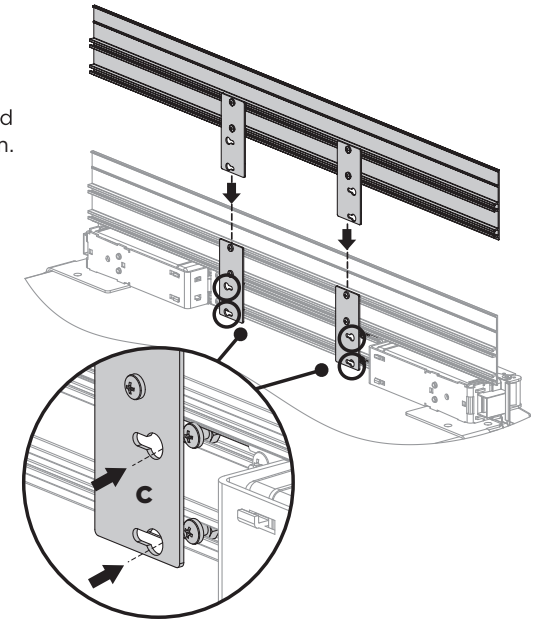
- 1 Insert M5 nuts (**A**) into the top and bottom side of the left and right ends of the top trim. Slide the nuts towards the center of the trim, ~13" (330mm).



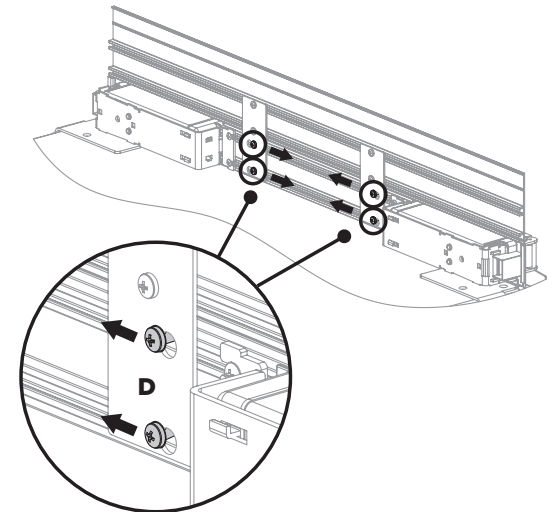
- 2 Position the top trim brackets over the M5 nuts. Fasten M5x8 cross-head screws (**B**) through bracket hole and secure.



- 3 At the top of the appliance, place the assembled top trim behind the existing appliance trim. Position the top trim so that screw heads in the appliance trim insert through the key holes of the brackets (**C**).



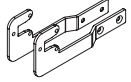
- 4 Slide the screws of the appliance trim towards the narrow side of the brackets, and tighten the screws to lock the top trim in position (**D**).



SIDE BRACKET INSTALLATION

Internal box

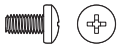
F Side bracket install kit



Side base brackets
(right/left)
(2)

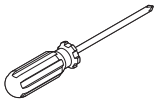


M5x8 countersunk
cross-head screw (4)

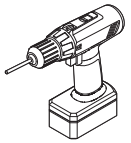


M5x10 cross-head screw
(10)

Tools



Cross-head screwdriver



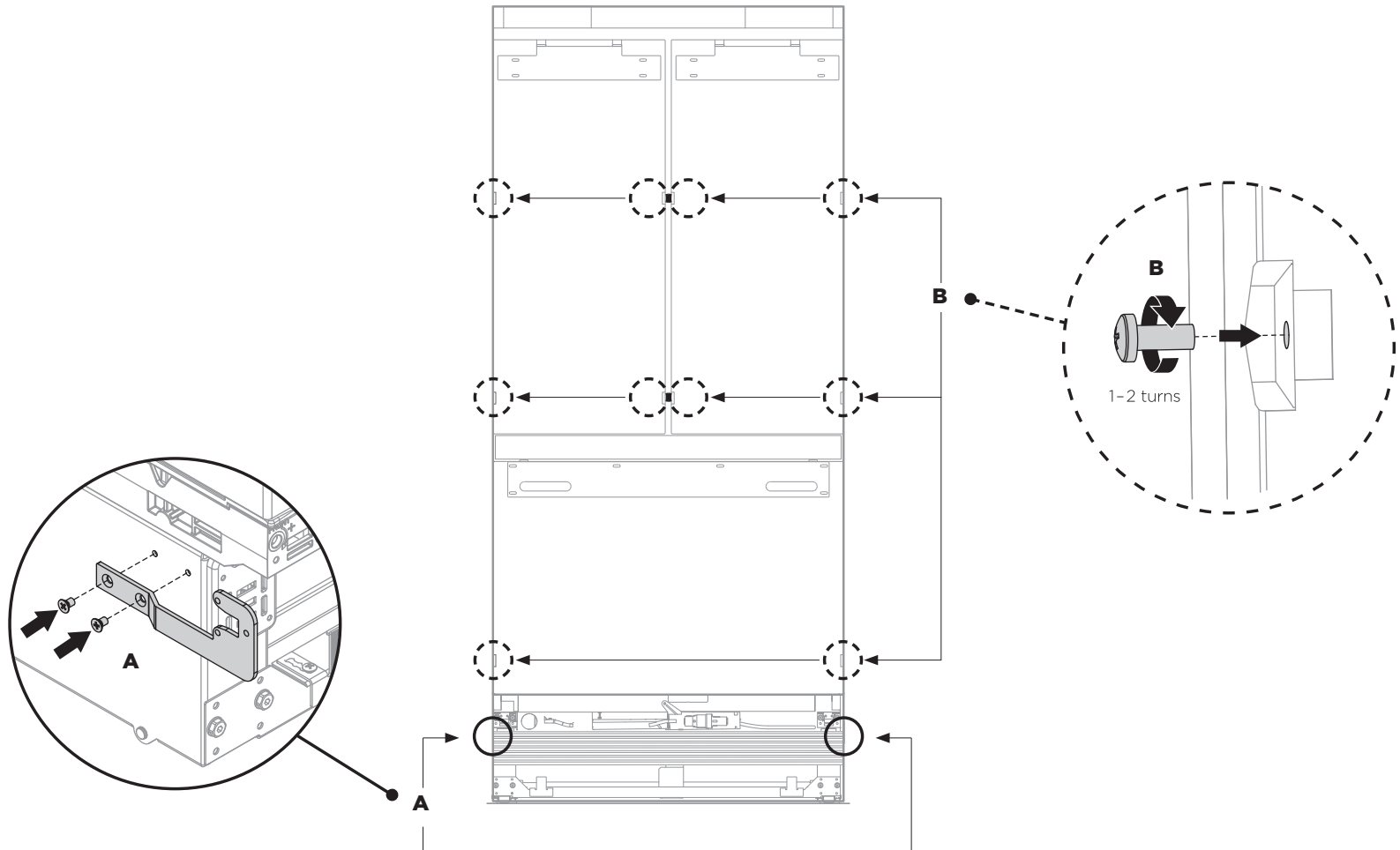
Powered driver (optional)

IMPORTANT!

Ensure all external packaging materials are removed from the appliance before installation.
Ensure the doors of the appliance are closed during installation.

Attach side base brackets

- ① Fix the side base brackets to the base left and right sides of the appliance with M5x8 countersunk cross-head screws (**A**).
- ② Loosely screw (1-2 turns) M5x10 cross-head screws into the doors (**B**).



POSITIONING INTO CABINETY

IMPORTANT!

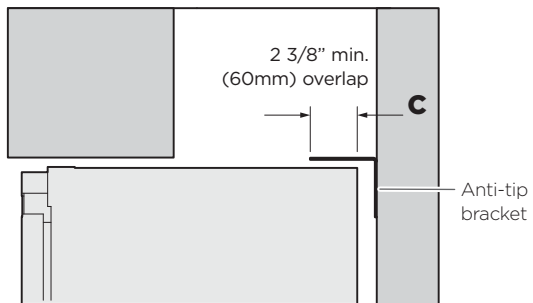
- Ensure the hose is not run over by the appliance when pushing into the cabinetry to prevent damage and possible water leaks.

Position the appliance into the cabinetry

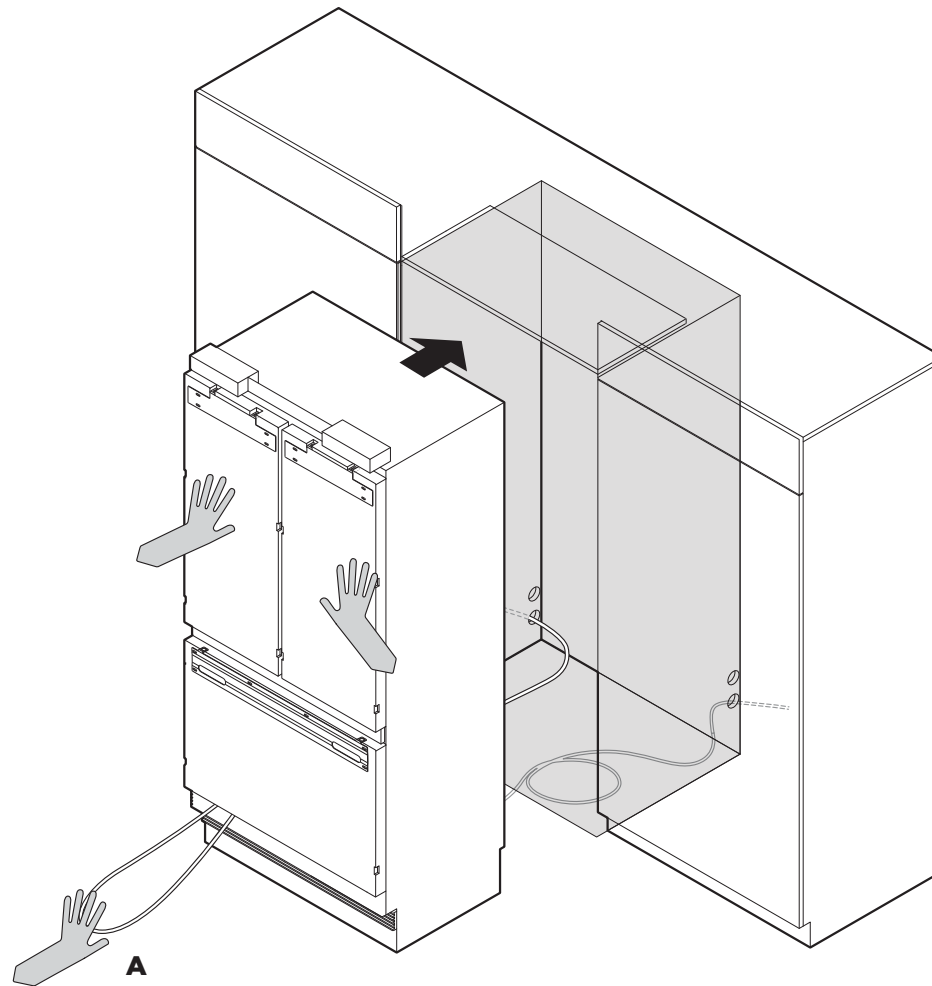
- ① Coil the excess water hose and power cord flat behind the appliance (A).
- ② Push the appliance into the cabinetry until the anti-tip bracket overlaps the rear top edge of the appliance (B).

IMPORTANT!

- Ensure the appliance is centered.
- Ensure the anti-tip bracket overlaps the refrigerator by a minimum 2 3/8" (60mm) for a secure hold (C).



Refer to 'Attach anti-tip bracket' for more information.



ALIGNING INSIDE CABINETY

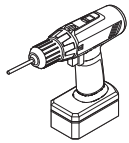
Tools



Hex key



Ruler



Cordless drill

IMPORTANT!

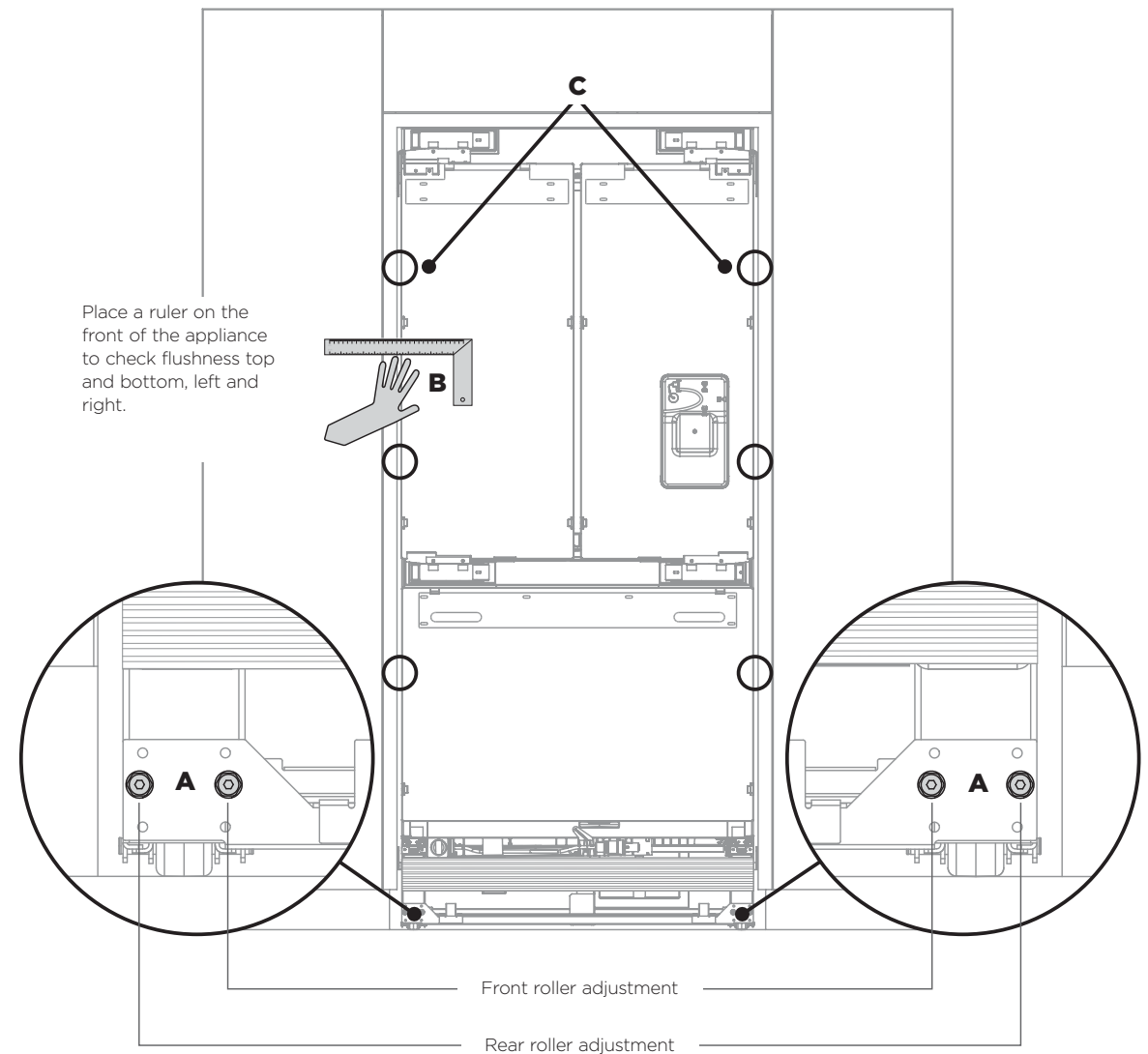
- Ensure all four corners of the appliance is supported firmly onto the floor to eliminate any movement.
- **DO NOT** install the appliance on a soft, uneven, or unlevelled floor to avoid twisting the appliance and poor door sealing.
- Raise the appliance using a 7/16" (11mm) hex socket or 3/16" (4mm) hex key.
- One turn of height adjusting nuts is equivalent to 1/16" (1mm) height adjustment.
- If using a powered driver, use low torque setting to avoid damaging the

height adjustment system.

- Ensure that the top, bottom and side gaps are not greater than 1/16" (1.5mm) to achieve correct alignment.
- Final alignment will be achieved once door panels have been installed and the appliance is pushed back to sit flush with the cabinetry.
- Ensure that the top, bottom and side gaps are not greater than 1/16" (1.5mm) to achieve correct alignment.
- Final alignment will be achieved once door panels have been installed and the appliance is pushed back to sit flush with the cabinetry.

Align appliance inside the cabinetry

- ① Centre the appliance within the alcove, using the adjacent walls as a guide.
- ② Turn the front and rear adjustment nuts (A) using a hex key to extend the feet until it engages the floor.
 - Clockwise turn raises the height and counter-clockwise turn lowers the height.
- ③ Continue turning the adjusting screws alternately between front and rear feet to align the front of the doors top to bottom on both sides, and until you achieve the correct alignment.
- ④ Check the top and bottom, left and right gaps by placing a ruler on the front of the appliance.
 - Ensure the gaps between appliance and adjacent cabinetry are even on both sides (B).
 - This step will help ensure the appliance is level with the adjacent cabinetry.
- ⑤ Gently push the front of the appliance to check the stability.



Internal box

B Door panel attachment kit

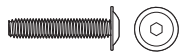


Side bracket
(10)



Side strap
(10)

Door handle kit



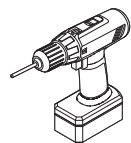
M5x25 pan head socket
screw (12x)

Door panel set



M5x14 mush cross-head
(SS) screw (34)

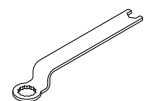
Tools



Cordless drill



Hex key



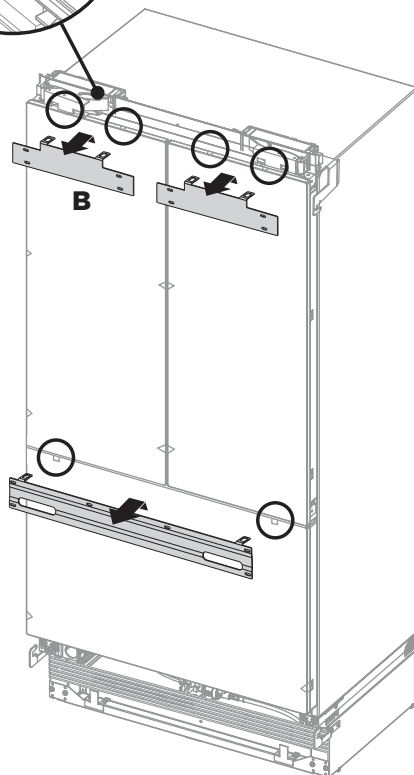
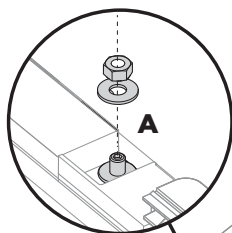
FPA spanner (1)

IMPORTANT!

- Follow these steps to avoid difficulties in door panel adjustment and cosmetic cap fitment.
- Ensure to protect the finish of the Stainless steel door panels.
- For non-water dispensing door panels: Leave the protective film on the panels when hanging and remove the film only when installation is complete.

Remove hanging brackets

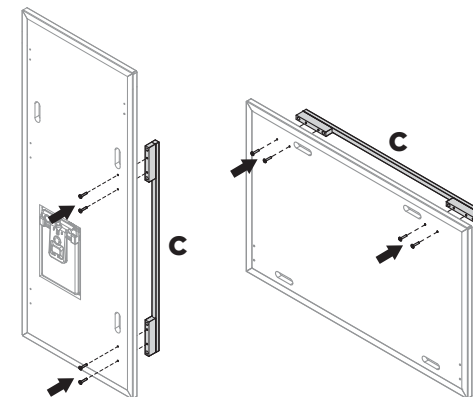
- ① Remove the M8 washers and M8 nuts from the M8 studs at the top the door (A). Keep the washers and nuts to reuse later.
- ② Remove the hanging bracket from the top of each door and set aside (B) for later installation.



Attach the door and drawer handles (C)

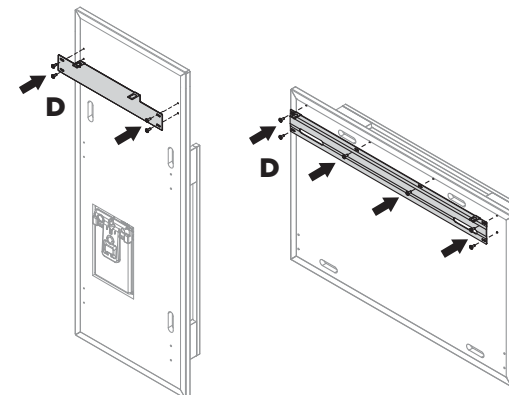
- ③ Remove the plastic plugs from the handle holes (4 per each door panel).
- ④ Align the handle holes with the door panel holes and secure with M5x25 pan head socket screws (4 per each door panel).

Note:
Door handle kit available and must be purchased separately. Refer to 'Components' (page 5) for more details.



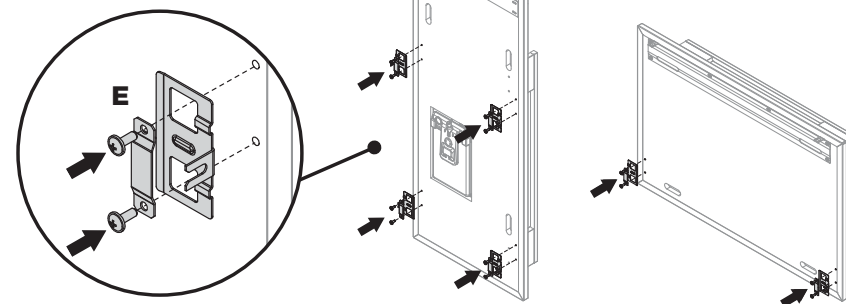
Attach the hanging brackets (D)

- ⑤ Align the bracket to the holes and secure with M5x14 mush cross-head SS screws (14).

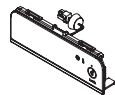


Attach side brackets and straps (E)

- ⑥ Align the brackets and straps to the holes on the side of the panel and secure with M5x14 mush cross-head SS screws (20).



Ice & Water display
(Ice & Water models only)



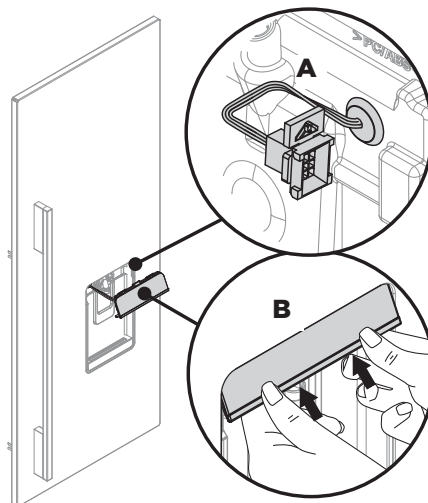
External display module (1)

IMPORTANT!

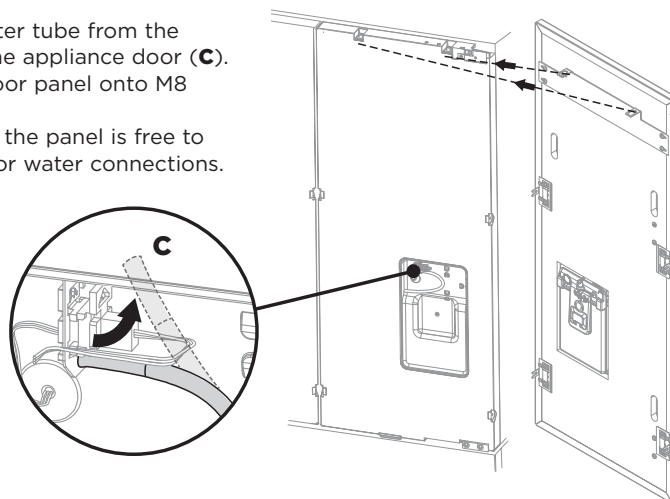
- Failure to follow these steps can lead to difficulties in door panel adjustment and cosmetic cap fitment.
- For water dispensing door panels: Remove the protective film from the appliance doors before hanging door panels.


Connect the external display module (for Ice & Water models only)

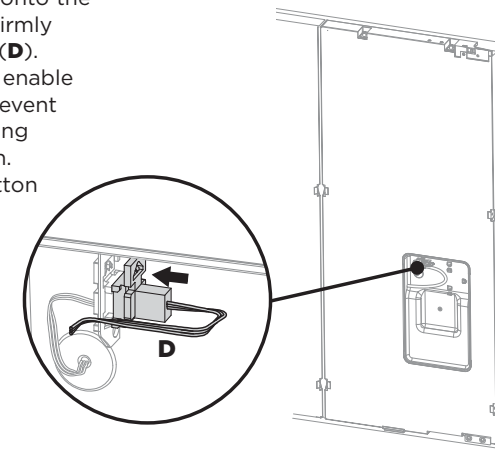
- ① Remove the external display module taped to the front of the appliance.
- ② Thread the display harness through the door panel cavity (A).
 - Ensure the grommet is engaged.
- ③ Turn the top display tabs at an angle into the door panel (B).
 - Ensure the harness is free of pinching.
- ④ Push firmly against the bottom display tabs and insert into the door panel until you feel it clip securely.
 - Ensure the display is flush with the door panel.



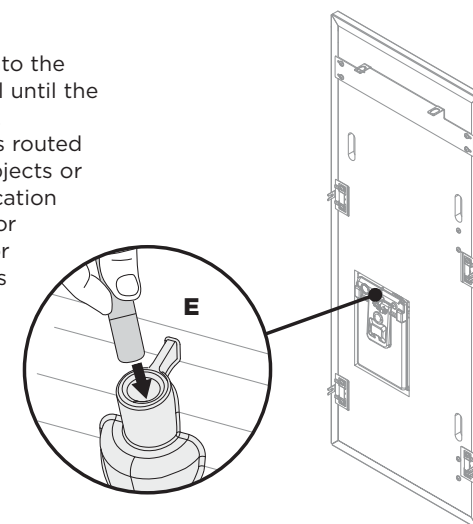
- ⑤ Remove water tube from the holder on the appliance door (C).
- ⑥ Hang the door panel onto M8 studs.
 - Ensure the panel is free to pivot for water connections.



- ⑦ Connect the display harness onto the appliance door by inserting firmly until you feel it clip securely (D).
 - On the external display, enable the dispenser lock to prevent any water from dispensing during water connection.
 - To lock, press the  button for 4 seconds. The LED above the button will illuminate.

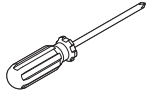


- ⑧ Push the water tube firmly into the spigot behind the door panel until the marked line is not visible (E).
 - Ensure the water tube is routed away from any sharp objects or corners, and not in a location where it can be kinked or squashed when the door panel is secured, (as this will stop water flow).



DOOR PANEL INSTALLATION – STAINLESS STEEL

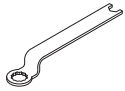
Tools



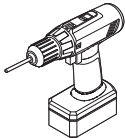
Cross-head screwdriver



Hex key



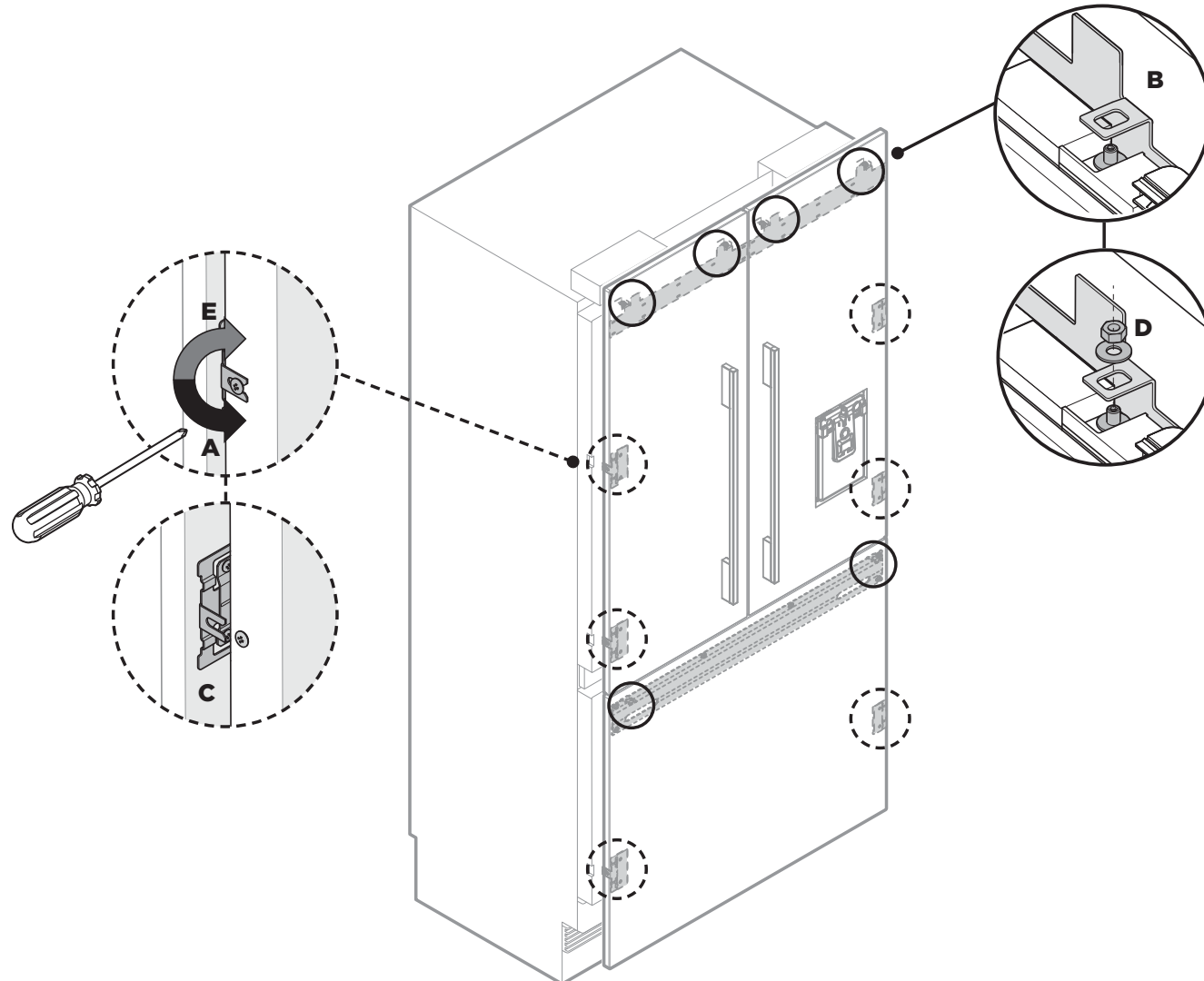
FPA spanner



Cordless drill

Attach the door panels

- ① Open the door and loosen the M5x10 cross-head screws (do not remove) at the sides of the doors (**A**).
- ② Hang the door panel by inserting the M8 studs through the holes of the hanging bracket (**B**).
- ③ Slide the forks of the side brackets onto the screws of the door (**C**).
- ④ Screw the M8 washer and nut to each stud (**D**), and re-tighten the side screws (**E**) to fix the door panel (do not fully tighten). This will allow opening the door without affecting adjustment of the door panel.

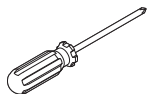


B Door panel attachment kit



#8x16 mush washer
(Custom) screw (36)

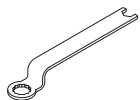
Tools



Cross-head screwdriver



Hex key



FPA spanner (1)



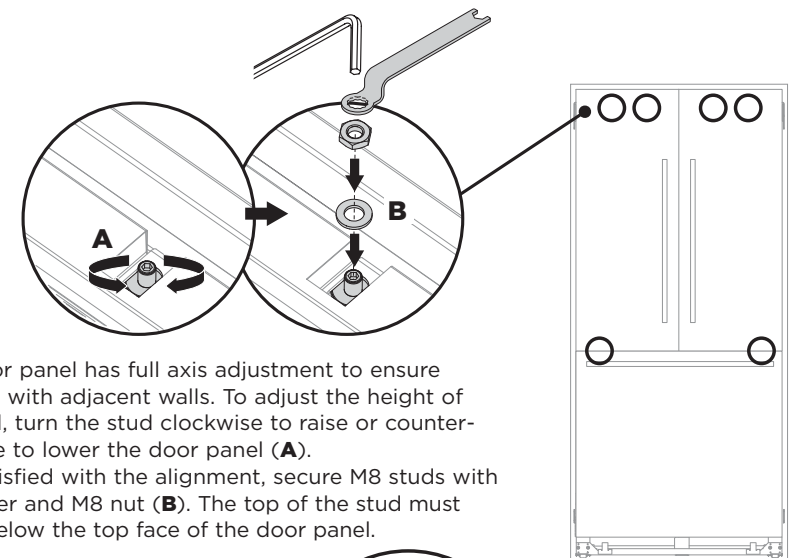
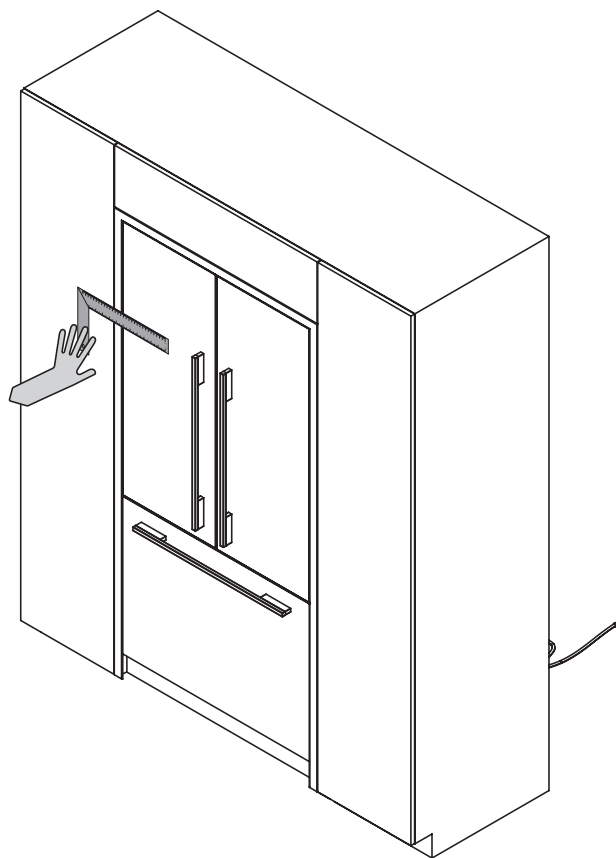
Ruler

IMPORTANT!

- Follow these steps to avoid difficulties in door panel adjustment and cosmetic cap fitment.

Adjust the door panels

- Place a ruler on the front of the appliance to check flushness top and bottom, left and right.
 - Ensure the gap between the top of the door panel and the top cabinetry is not more than 1/4" (7mm).
 - To reduce this gap, raise the appliance by turning all four adjustment nuts the same number of turns.

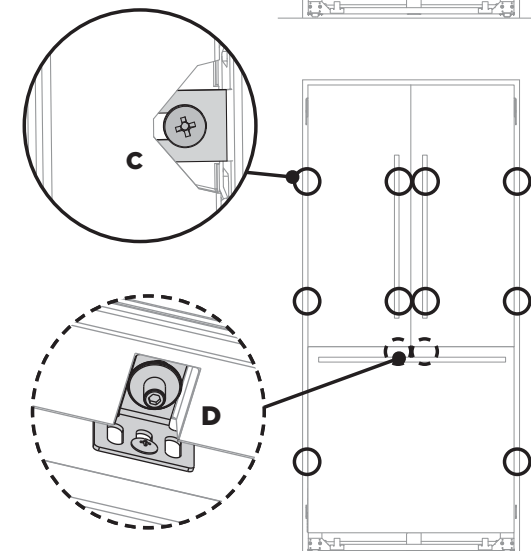


- Each door panel has full axis adjustment to ensure flushness with adjacent walls. To adjust the height of the panel, turn the stud clockwise to raise or counter-clockwise to lower the door panel (A).
- Once satisfied with the alignment, secure M8 studs with M8 washer and M8 nut (B). The top of the stud must remain below the top face of the door panel.

- Secure side bracket forks by tightening side screws (C). Repeat for all door panels.

Note:

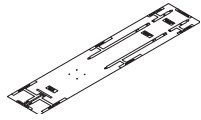
- For depth adjustment loosen side screws (10), adjust panels and then retighten once satisfied.
- Further adjustment of door panels can be achieved by removing door panels then loosening the fixing screws for the hanging bracket and moving the bracket sideways to suit.



- Loosen the M8 stud (D) so that locking bracket can slide freely back to front.
 - Slide the locking bracket out until it touches the back of the door panel. Fully tighten the M8 stud.
 - Screw in place using a #8x16 screw through one of the three slotted holes.

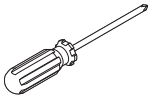
DOOR PANEL INSTALLATION - CUSTOM

External box

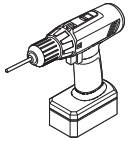


Door panel double-sided template (1)

Tools



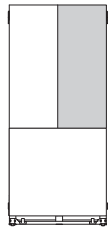
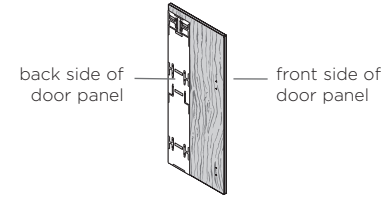
Cross-head screwdriver



Powered driver (optional)

IMPORTANT!

The template is a single sheet with one side used for the left door panel/drawer panel and the other side for the right door panel. The template should be placed on the back side of the door panel. Sample image below shows template applied to door panel RD3680.



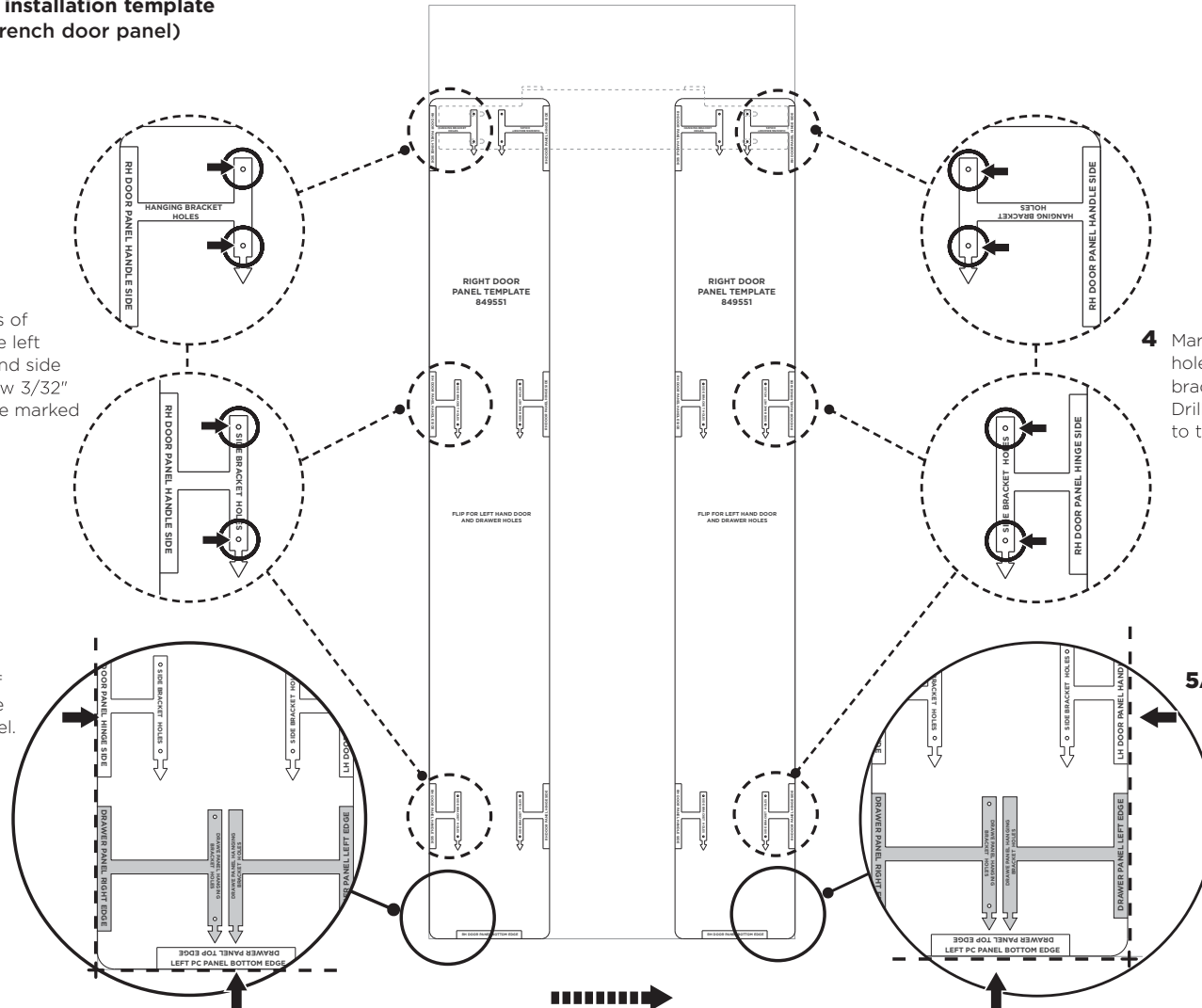
Using the installation template (for left French door panel)

2 Mark drill locations of screw holes for the left hanging bracket and side brackets. Drill screw 3/32" (2mm) holes to the marked locations.

4 Mark drill locations of screw holes for the right hanging bracket and side brackets. Drill 3/32" (2mm) screw holes to the marked locations.

1A Align left side edge of template with left side edge of top door panel.

5A Align right side edge of template with right side edge of top door panel.



1B Align bottom of template with bottom edge of top door panel.

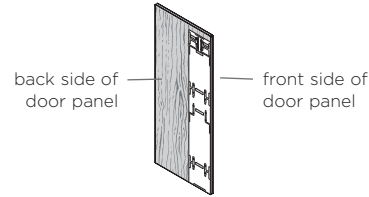
3 Move the same template to right hand side of door panel.

5B Align bottom of template with bottom edge of top door panel.

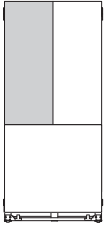
DOOR PANEL INSTALLATION - CUSTOM

IMPORTANT!

Flip the template over to use for the right top door panel.
The template should be placed on the back side of the door panel.



Using the installation template (for right French door panel)



2 Mark drill locations of screw holes for the left hanging bracket and side brackets. Drill 3/32" (2mm) screw holes to the marked locations.

4 Mark drill locations of screw holes for the right hanging bracket and side brackets. Drill 3/32" (2mm) screw holes to the marked locations.

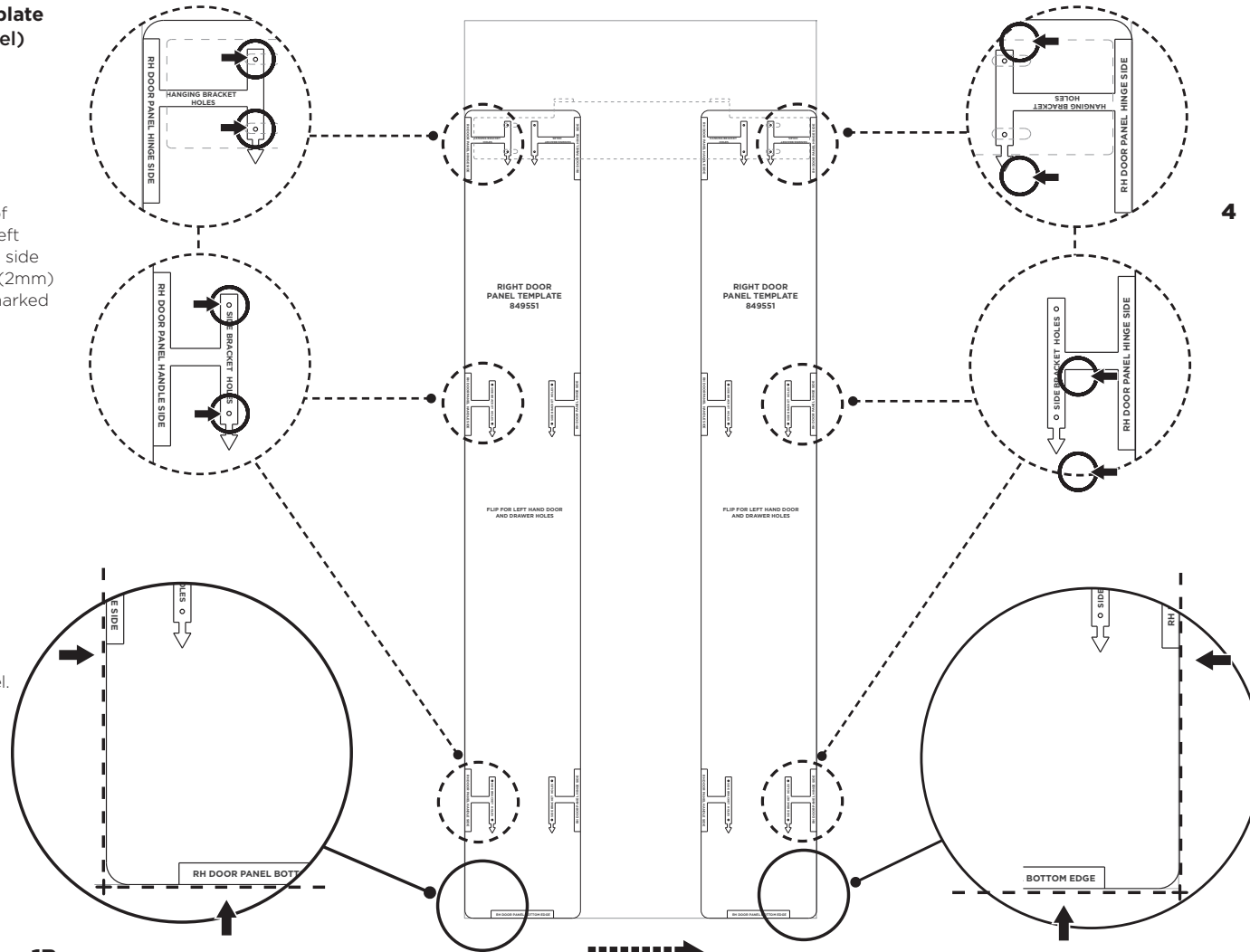
1A Align left side edge of template with left side edge of top door panel.

5A Align right side edge of template with right side edge of top door panel.

1B Align bottom of template with bottom edge of top door panel.

5B Align bottom of template with bottom edge of top door panel.

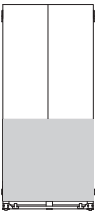
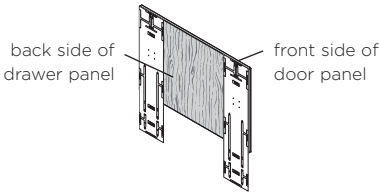
3 Move the same template to right hand side of door panel.



DOOR PANEL INSTALLATION - CUSTOM

IMPORTANT!

Use left door panel template to use for the drawer panel.
Place the template at the back side of the drawer panel.



Using the installation template (for drawer panel)

1A Align top of template with top edge of drawer panel.

1B Align left side edge of template with left side edge of drawer panel.

2 Mark drill locations of screw holes for the left hanging bracket and side brackets. Drill 3/32" (2mm) screw holes to the marked locations.

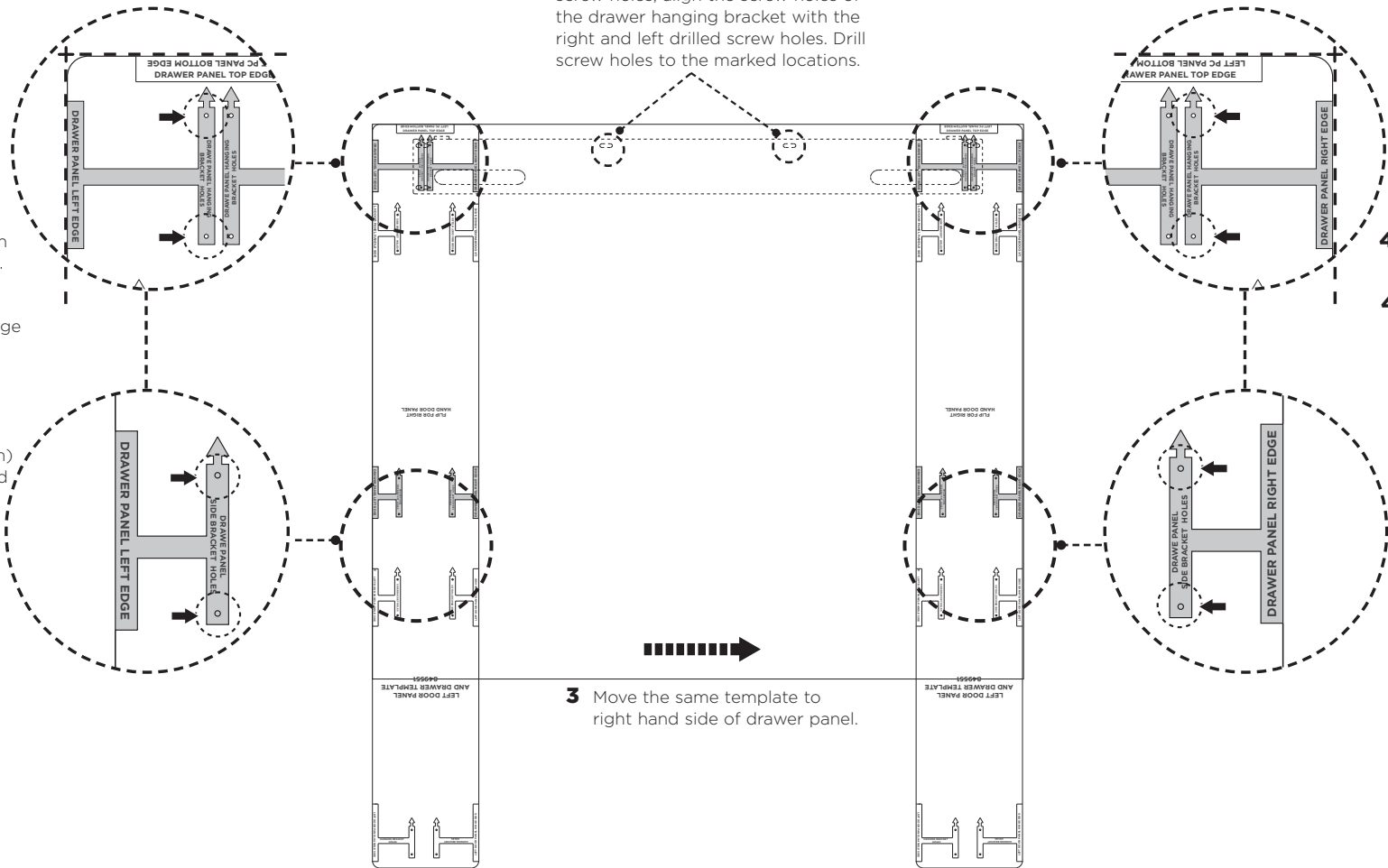
6 To mark the drill locations of middle screw holes, align the screw holes of the drawer hanging bracket with the right and left drilled screw holes. Drill screw holes to the marked locations.

4A Align top of template with top edge of drawer panel.

4B Align right side edge of template with right side edge of drawer panel.

5 Mark drill locations of screw holes for the left hanging bracket and side brackets. Drill 3/32" (2mm) screw holes to the marked locations.

3 Move the same template to right hand side of drawer panel.



Internal box

B Door panel attachment kit



Side bracket (10)



Side strap (10)



#8x16 mush washer (Custom) screw (36)

Door handle kit

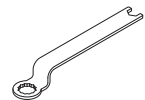


M5x25 pan head socket screw (12x)

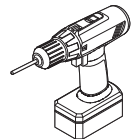
Tools



Hex key



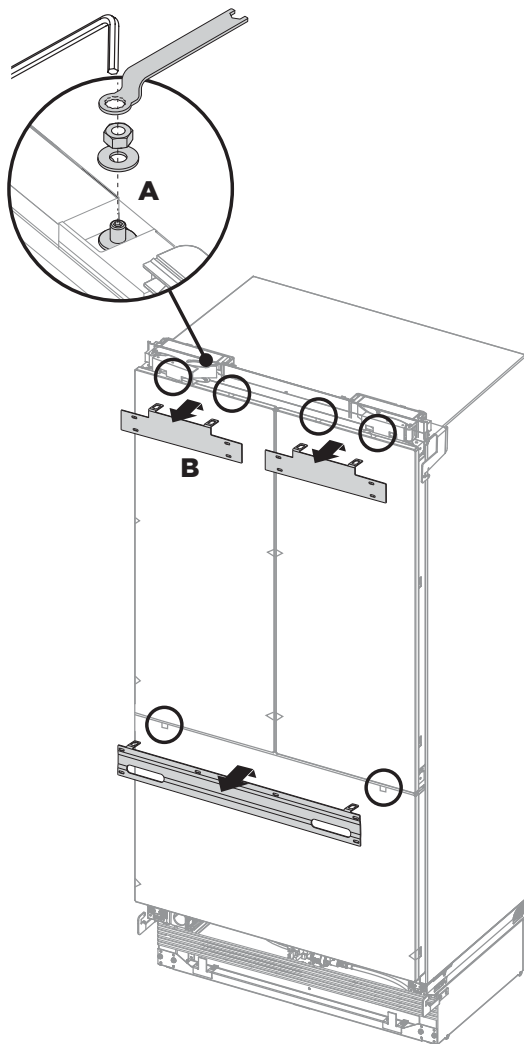
FPA spanner (1)



Powered driver (optional)

Remove hanging brackets

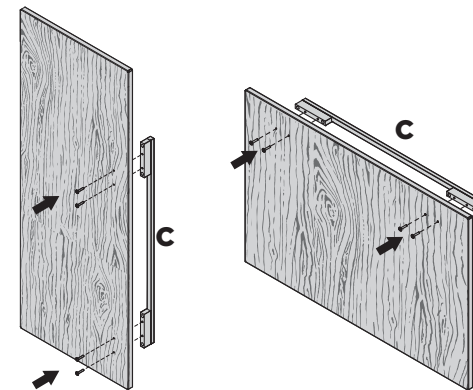
- 1 Remove the M8 washers and M8 nuts from the M8 studs at the top the door (**A**). Keep the washers and nuts to reuse later.
- 2 Remove the hanging bracket from the top of each door and set aside (**B**) for later installation.



Attach the door and drawer handles (C)

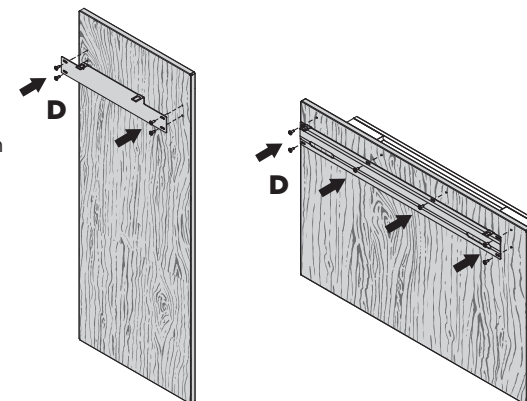
- 3 Align the handle holes with the door panel holes and secure with M5x25 pan head socket screws (4 per each door panel).

Note:
Door handle kit available and must be purchased separately. Refer to 'Components' for more details.



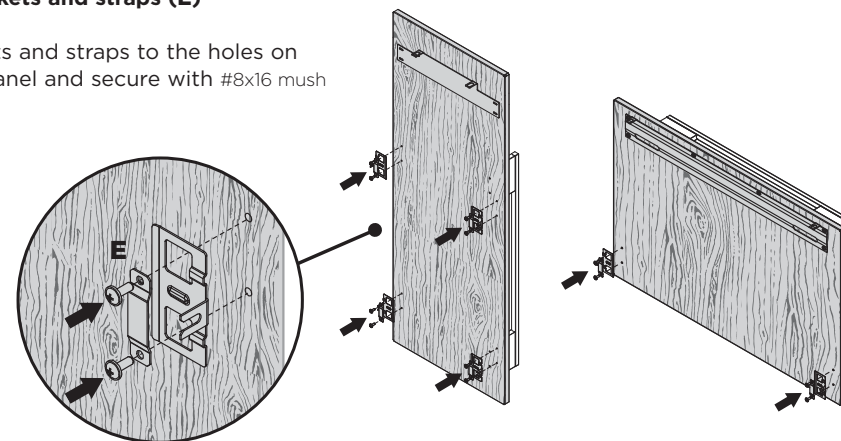
Attach the hanging brackets (D)

- 4 Align the bracket to the holes and secure with #8x16 mush washer screw (14).



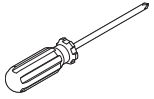
Attach side brackets and straps (E)

- 5 Align the brackets and straps to the holes on the side of the panel and secure with #8x16 mush washer screw (20).



DOOR PANEL INSTALLATION – CUSTOM

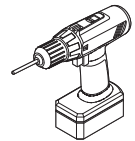
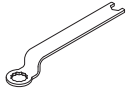
Tools



Cross-head screwdriver



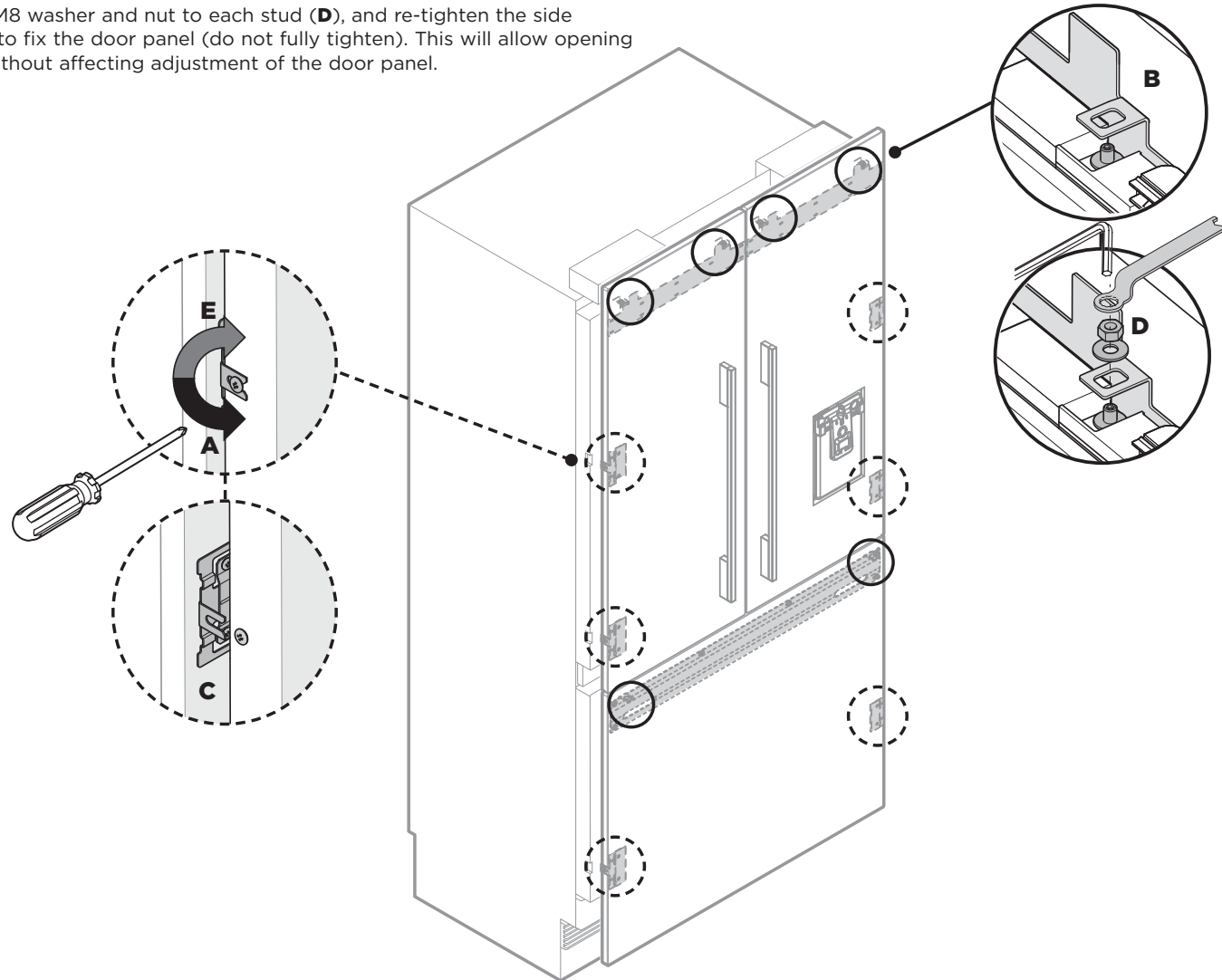
Hex key



Powered driver
(optional)

Attach the door panels

- ① Open the door and loosen the M5x10 cross-head screws (do not remove) at the sides of the doors (**A**).
- ② Hang the door panel by inserting the M8 studs through the holes of the hanging bracket (**B**).
- ③ Slide the forks of the side brackets onto the screws of the door (**C**).
- ④ Screw the M8 washer and nut to each stud (**D**), and re-tighten the side screws (**E**) to fix the door panel (do not fully tighten). This will allow opening the door without affecting adjustment of the door panel.

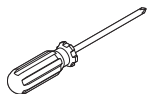


B Door panel attachment kit



#8x16 mush washer
(Custom) screw (2)

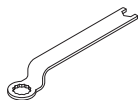
Tools



Cross-head screwdriver



Hex key



FPA spanner (1)



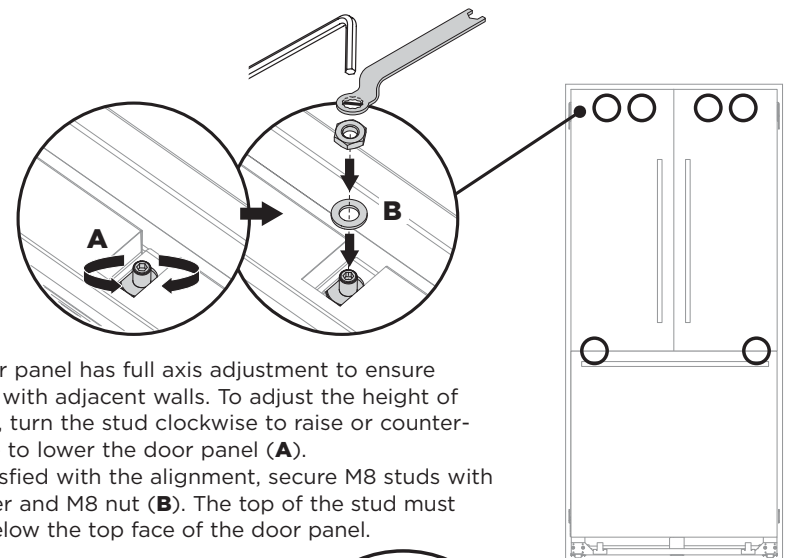
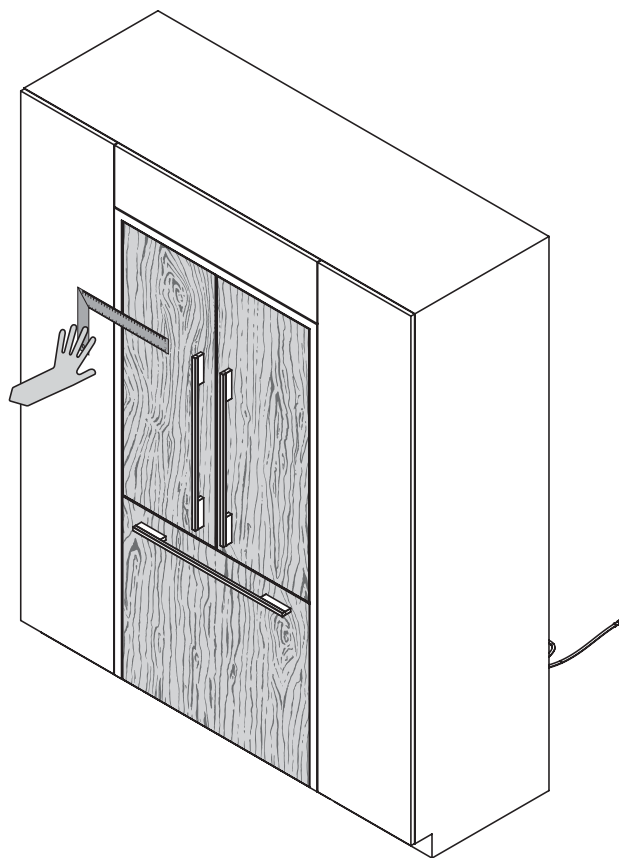
Ruler

IMPORTANT!

- Follow these steps to avoid difficulties in door panel adjustment and cosmetic cap fitment.

Adjust the door panels

- Place a ruler on the front of the appliance to check flushness top and bottom, left and right.
 - Ensure the gap between the top of the door panel and the top cabinetry is not more than 1/4" (7mm).
 - To reduce this gap, raise the appliance by turning all four adjustment nuts the same number of turns.

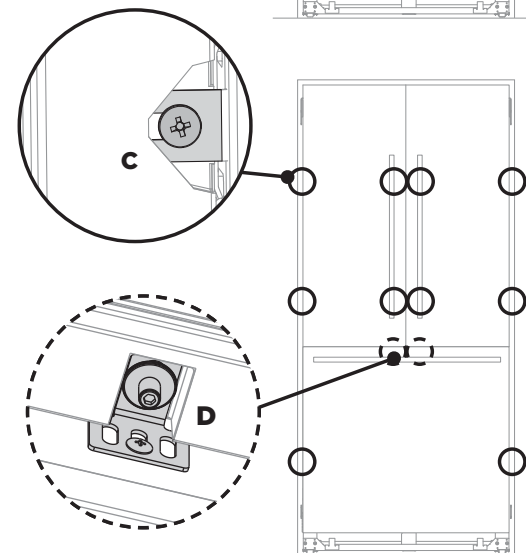


- Each door panel has full axis adjustment to ensure flushness with adjacent walls. To adjust the height of the panel, turn the stud clockwise to raise or counter-clockwise to lower the door panel (A).
- Once satisfied with the alignment, secure M8 studs with M8 washer and M8 nut (B). The top of the stud must remain below the top face of the door panel.

- Secure side bracket forks by tightening side screws (C). Repeat for all door panels.

Note:

- For depth adjustment loosen side screws (10), adjust panels and then retighten once satisfied.
- Further adjustment of door panels can be achieved by removing door panels then loosening the fixing screws for the hanging bracket and moving the bracket sideways to suit.



- Loosen the M8 stud (D) so that locking bracket can slide freely back to front.
 - Slide the locking bracket out until it touches the back of the door panel. Fully tighten the M8 stud.
 - Screw in place using a #8x16 screw through one of the three slotted holes.

Internal box

G Fixing bracket install kit



Fixing bracket (4)



M5x8 countersunk cross-head screw (12)

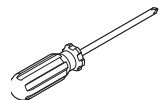


Screw cover (4)

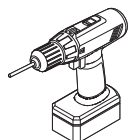


#8x19 twin thread screw (8)

Tools

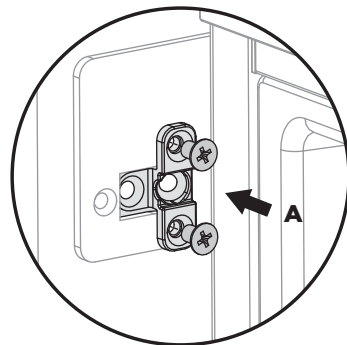
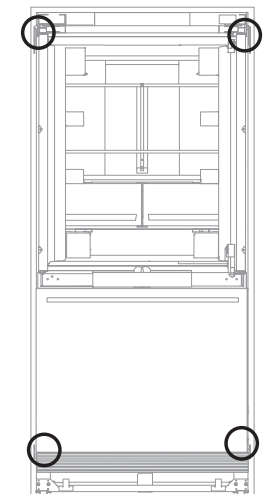


Cross-head screwdriver

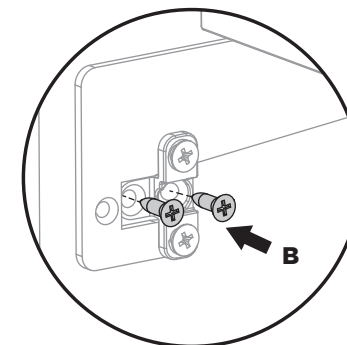
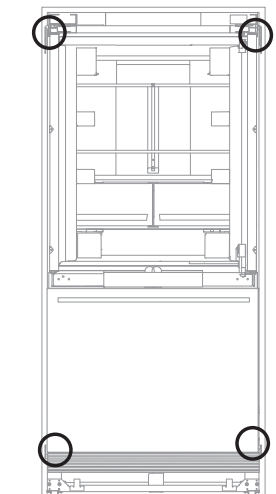


Powered driver (optional)

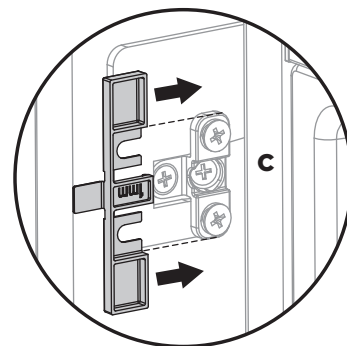
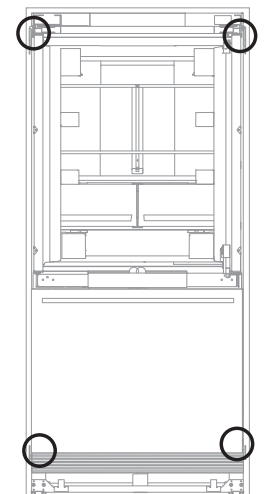
Attach fixing brackets



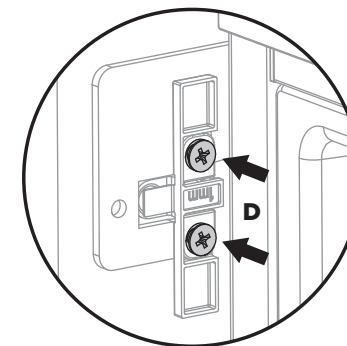
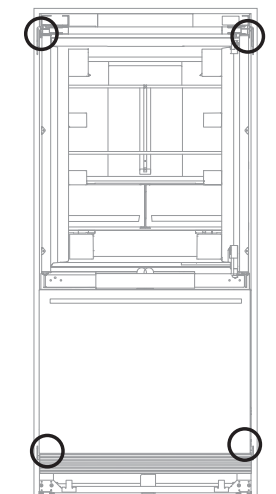
- ① Open the refrigerator French doors carefully.
- ② Place the fixing brackets on the top and side base brackets of the appliance and secure mid-way with M5x8 countersunk cross-head screws (A).



- ③ Secure the center of each fixing bracket to the side of the adjacent wall with #8x19 twin thread screws (B).



- ④ Slide the screw cover between the fixing bracket and the side bracket on the appliance (C).



- ⑤ Fix the screw cover by tightening M5x8 countersunk cross-head screws (D).

WATER FILTER INSTALLATION

MI (miscellaneous item) pack



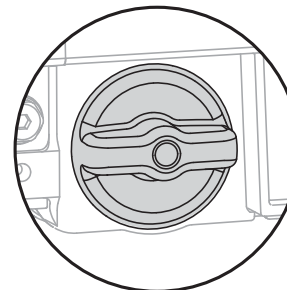
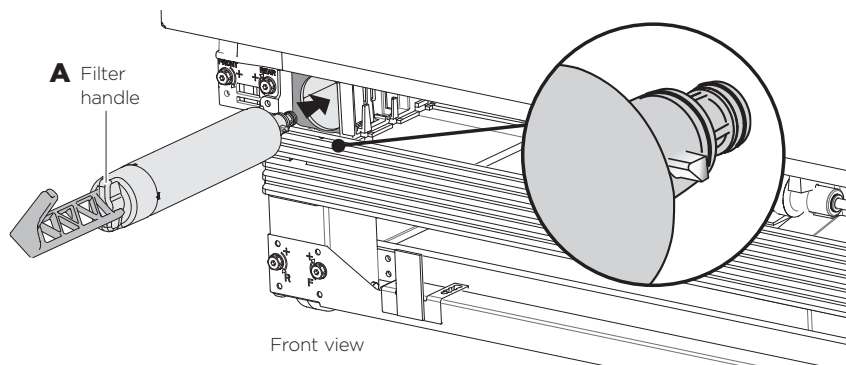
Water filter (1)



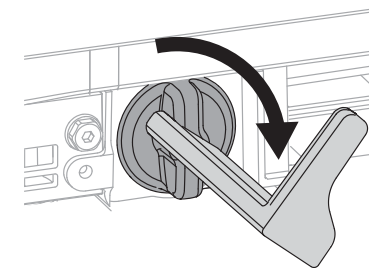
Filter cartridge tool (1)

IMPORTANT!

- The water filter head must be firmly pushed into the appliance and secured. incorrect installation can lead to water leaks.



Filter in locked position



Install the water filter

- ① Remove the plastic wrapping of the new filter.
- ② Pull the freezer drawer out slightly and insert the filter into the casing at the bottom left corner of the appliance. Ensure the filter handle is positioned vertically (**A**).
- ③ Push the cartridge firmly inside the casing all the way into the filter head.

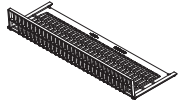
- ④ Align the filter removal tool over the filter handle and turn 90° clockwise to tighten (**B**). Remove filter removal tool and close the freezer drawer.

IMPORTANT!

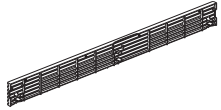
- Before turning on your automatic ice maker, the water filter must be flushed to remove any impurities or trapped air in the water tank and filter system.
- Refer to the user guide 'Operating instructions — Automatic ice maker' for more information.

TOE KICK INSTALLATION

External box



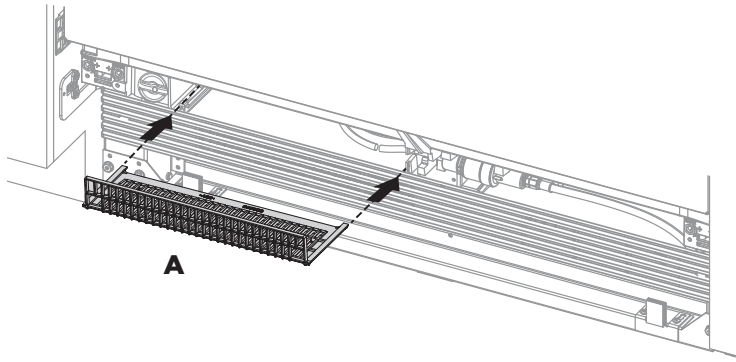
Toe kick filter (1)



Top grille (1)

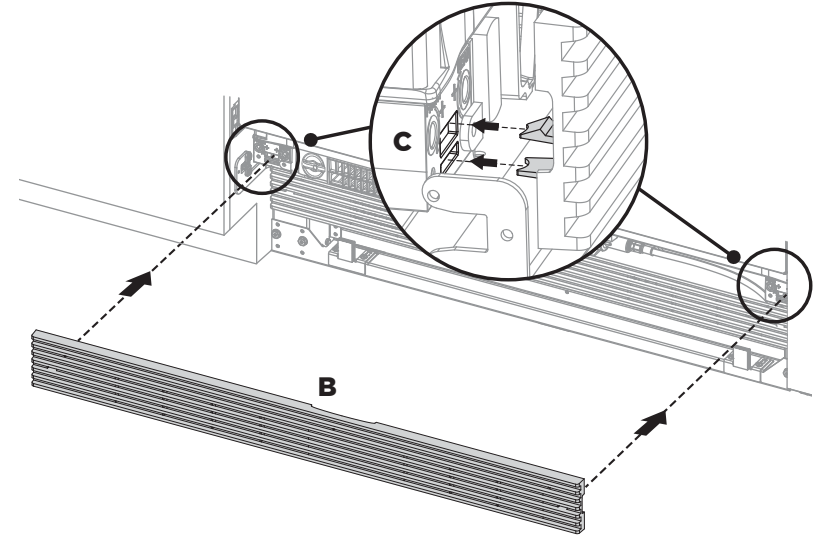
Install the toe kick filter

- ① Fit the filter onto the rails and push until it clips securely (**A**).



Install the top grille

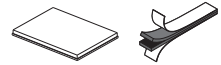
- ② Align the top grille clips to the top plinth slots. Ensure the top grille is in the correct orientation (**B**).
- ③ Push the grille firmly onto the appliance until the clips engage (**C**).



TOE KICK INSTALLATION

Internal box

E Toe kick install kit



Dual adhesive tabs (2)

Miscellaneous components



#8x5/8" (16mm) pan head screw (3)



Air flow divider (1)

External box

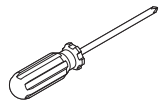


Toe kick (1)

Tools



Cutter



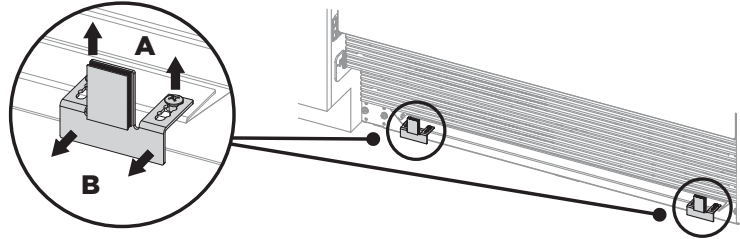
Cross-head screwdriver

IMPORTANT!

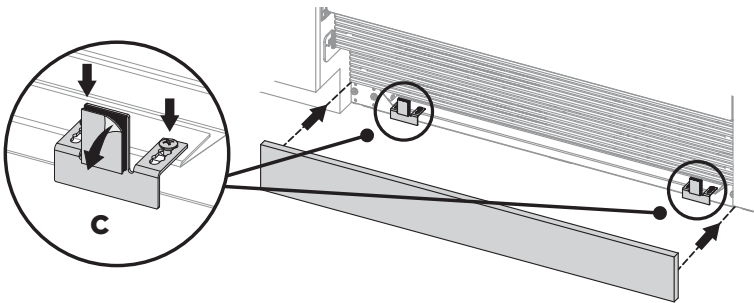
- The standard appliance includes a stainless steel toe kick 4" (102mm) and the components required to mount the toe kick.
- Alternatively, the customer can supply their own custom toe kick 4-6" (102-152mm) for complete integration of the appliance.

For standard toe kick — 4" (102mm)

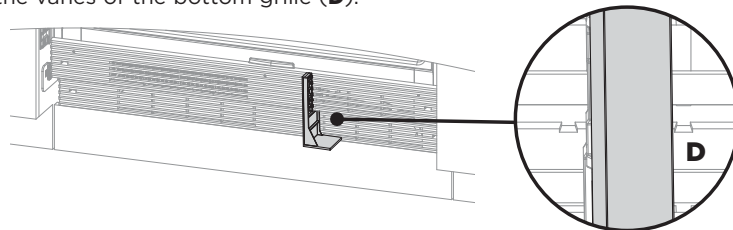
- 1 Loosen the toe kick bracket screws (A) mid-way, and move the brackets forward (B).



- 2 Pre-align the toe kick by placing in front of the brackets until flush with surrounding cabinetry. Once satisfied with the alignment, set the toe kick aside and tighten the bracket screws to lock the brackets in position.
- 3 Peel off the adhesive backing from one side of dual adhesive tabs and attach to the brackets. Peel off the adhesive backing from the other side of dual adhesive tabs and attach the toe kick. (C)

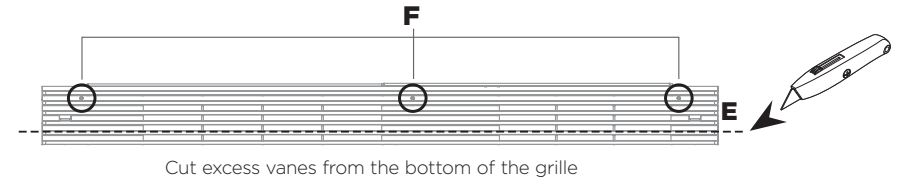


- 4 Align the air flow divider underneath the grille tabs indicator and clip onto the vanes of the bottom grille (D).

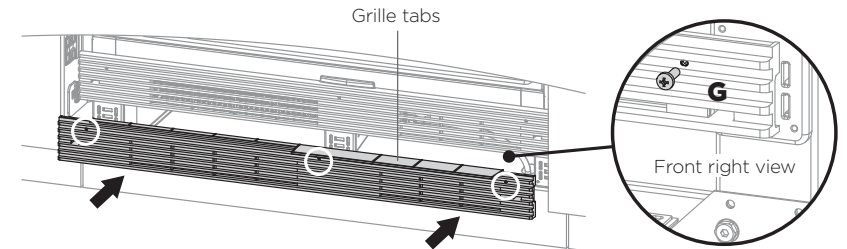


For custom toe kick greater than 4" (102mm)

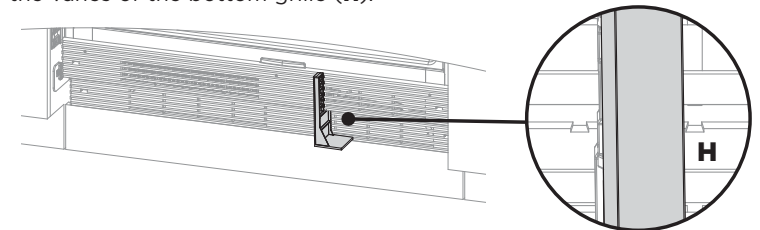
- 5 Remove the bottom grille from the bottom of the appliance.
- 6 Measure the required height for the bottom grille. On a board, carefully score/cut the excess vanes from the bottom of the toe kick grille and discard (E).
- 7 Drill $\varnothing 5/32$ " (4mm) holes into the dimples of the grille (F).



- 8 With the grille tabs facing upwards, align the grille to the bottom of the plinth where the screw holes are located and secure with #8x5/8" pan head screws (G).



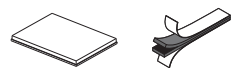
- 9 Align the air flow divider underneath the grille tabs indicator and clip onto the vanes of the bottom grille (H).



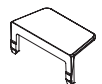
DOOR AND DRAWER TRIMS INSTALLATION

Internal box

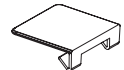
C Door/drawer trim install kit



Dual adhesive tabs (10)

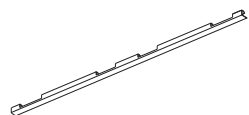


Side cover (4)

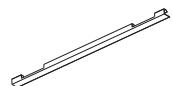


Top cover (2)

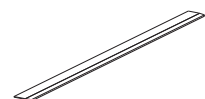
External box



Door side trim (2)



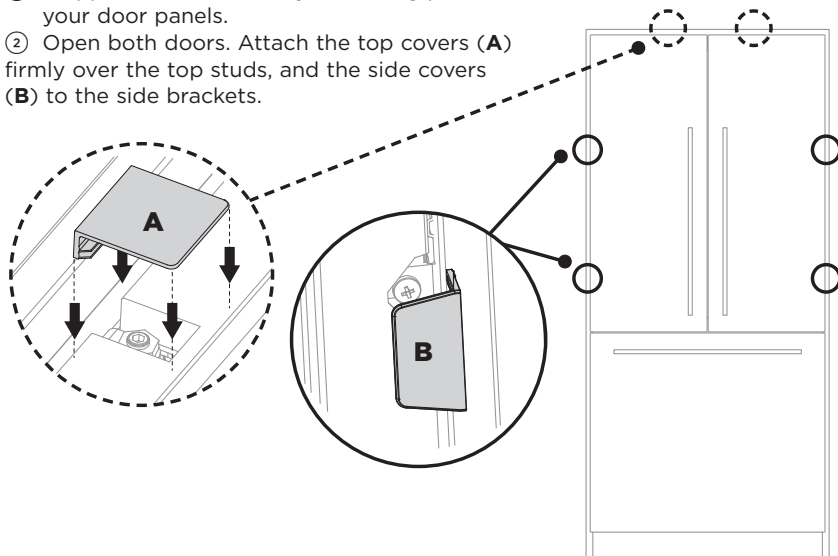
Drawer side trim (2)



Drawer top trim (2)

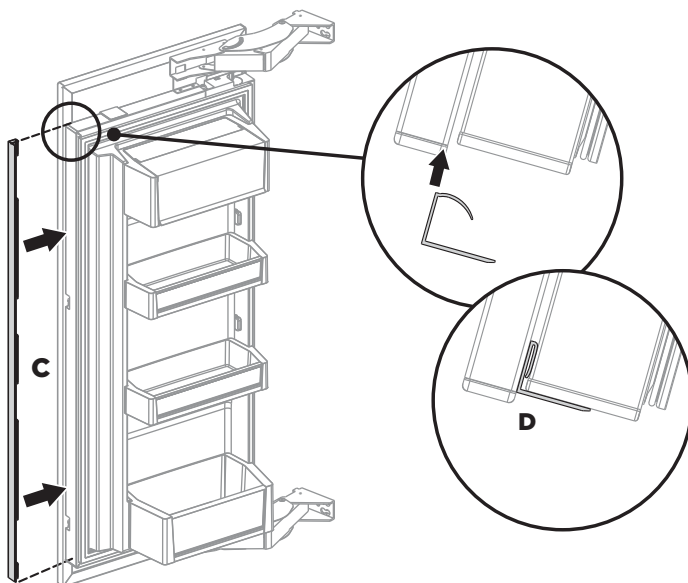
Attach the covers

- ① If applicable, remove any remaining protective film on your door panels.
- ② Open both doors. Attach the top covers (A) firmly over the top studs, and the side covers (B) to the side brackets.



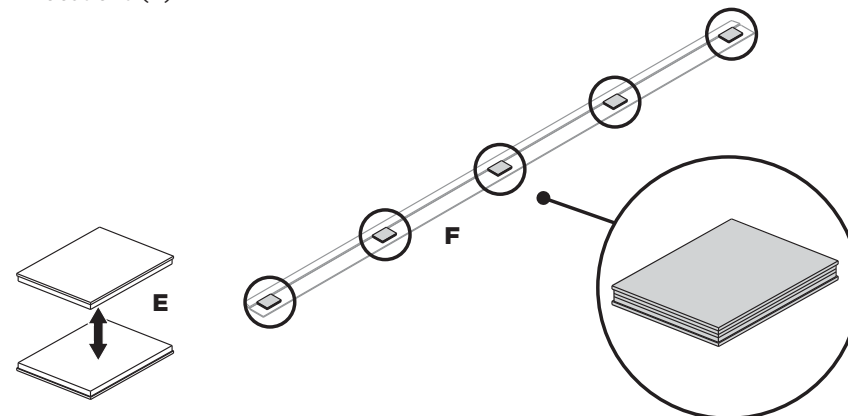
Attach the door side trims

- ③ Install the side trims by inserting into the panel gaps on each side of the door(s) (C). Align the trim to the top of the door and press evenly into the panel gap until fully seated (D).

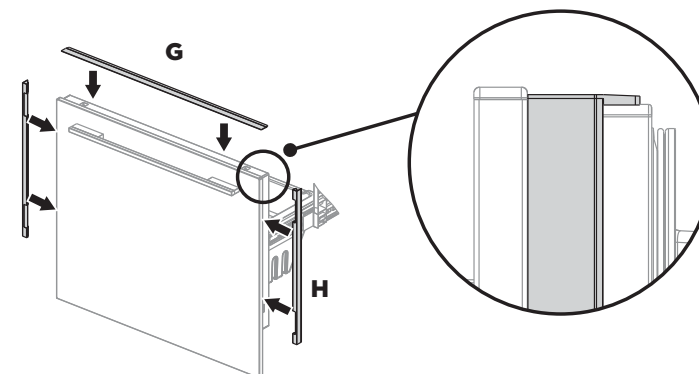


Attach the drawer top and side trims

- ④ Press the dual adhesive tabs together to form pairs (E) and remove the adhesive backing on one side only.
- ⑤ Press firmly to the underside of the drawer top trim in the indicated locations (F).



- ⑥ Remove the remaining adhesive backing from the dual adhesive tabs.
 - ⑦ Locate the trim against the back surface of the panel and press down firmly. Ensure the trim is fully seated against the drawer surface. (G).
 - ⑧ Install the side trims by inserting into the panel gaps on each side of the door(s) (H).
- Make sure the cabinet is centered to prevent the side trims from interfering with the cabinet.



TWO METHODS ARE AVAILABLE FOR ATTACHING CABINET SIDE TRIMS:

- [A] FLEXIBLE SPRING CLIP METHOD – RECOMMENDED METHOD**
- [B] FIXED SCREW METHOD – METHOD TO USE IF CABINET IS NOT TO SPECIFICATION**

(Attempt method [A]. If method [A] results in poor fitment of side trims due to cabinetry that is uneven or out of specification, use method [B]).

CABINET TRIMS INSTALLATION – [A] FLEXIBLE SPRING CLIP METHOD

Internal box

D Cabinet side trim install kit



Side trim bracket (6)



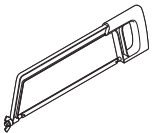
Spring clip (6)

External box



Cabinet side trim (2)

Tools



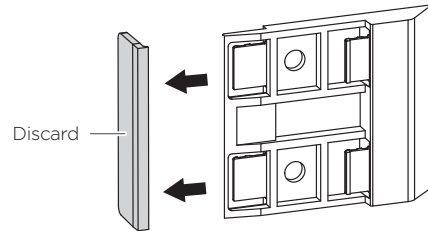
Hacksaw



Pencil

- ① Break off the datum lip to each side trim bracket and discard.

Repeat for all side trim brackets.



- ④ Place 3 side trim brackets onto each side trim.

Note: Measure from the top of the trim, with the short lip at the bottom.

Refer to (B) for 80" and 84" bracket locations and trim orientation.

IMPORTANT!

Each bracket has two engagement points for the side trim to locate. Ensure the trim is engaged in both points (C).

Repeat for all side trims.

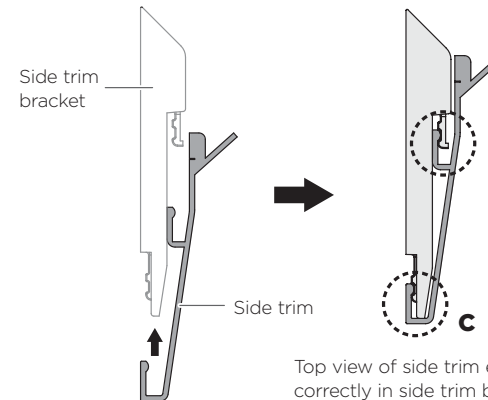
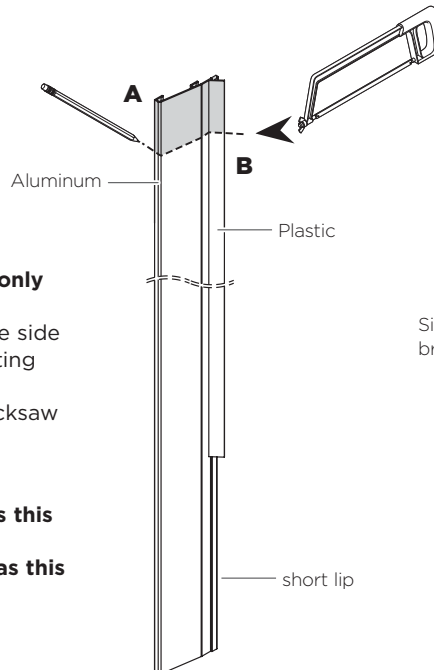
For 80" (2032 mm) cavity installation only

- ② Measure 4" (102mm) from the top of the side trim with a square ruler and mark a cutting line. (A)
- ③ Cut along the line using a fine tooth hacksaw to a length of 76" (1930mm). (B)

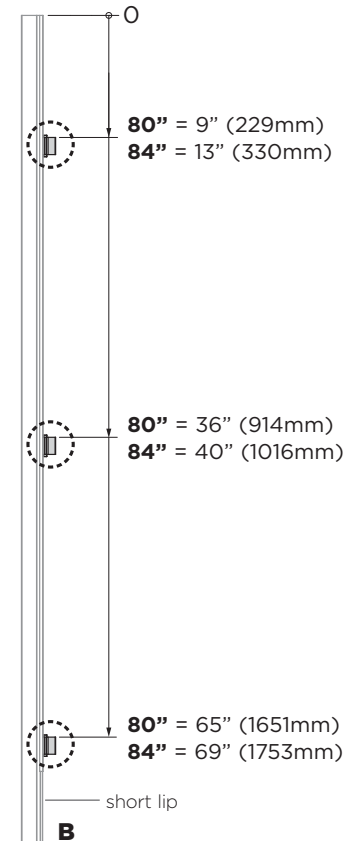
IMPORTANT!

- Ensure the cut is straight and square as this is an exposed surface.
- Ensure the plastic part does not bend as this can cause visual stress marks.

Repeat for all side trims.



Top view of side trim engaged correctly in side trim bracket



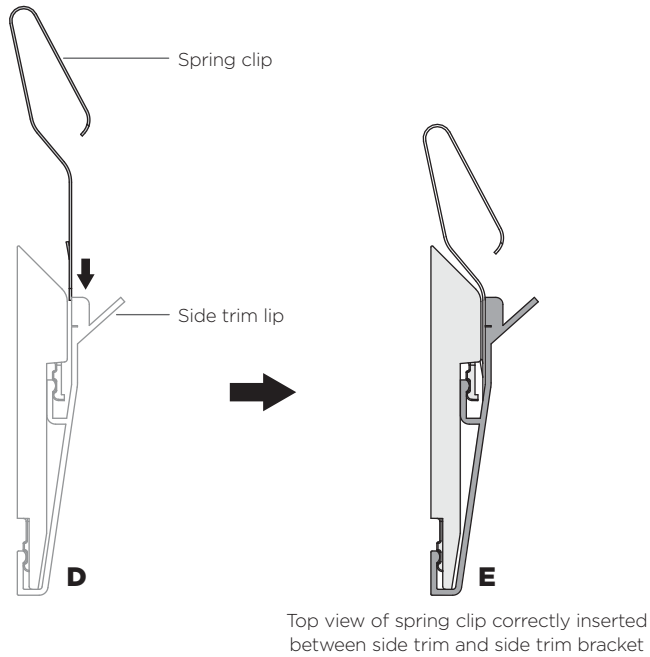
CABINET TRIMS INSTALLATION – [A] FLEXIBLE SPRING CLIP METHOD

- ⑤ Insert the spring clip into the gap between the side trim and side trim bracket, orientation as shown in figures (D) and (E).

IMPORTANT!

Ensure spring clip is correctly oriented with the open loop facing the side trim lip.

Repeat for all side trims.



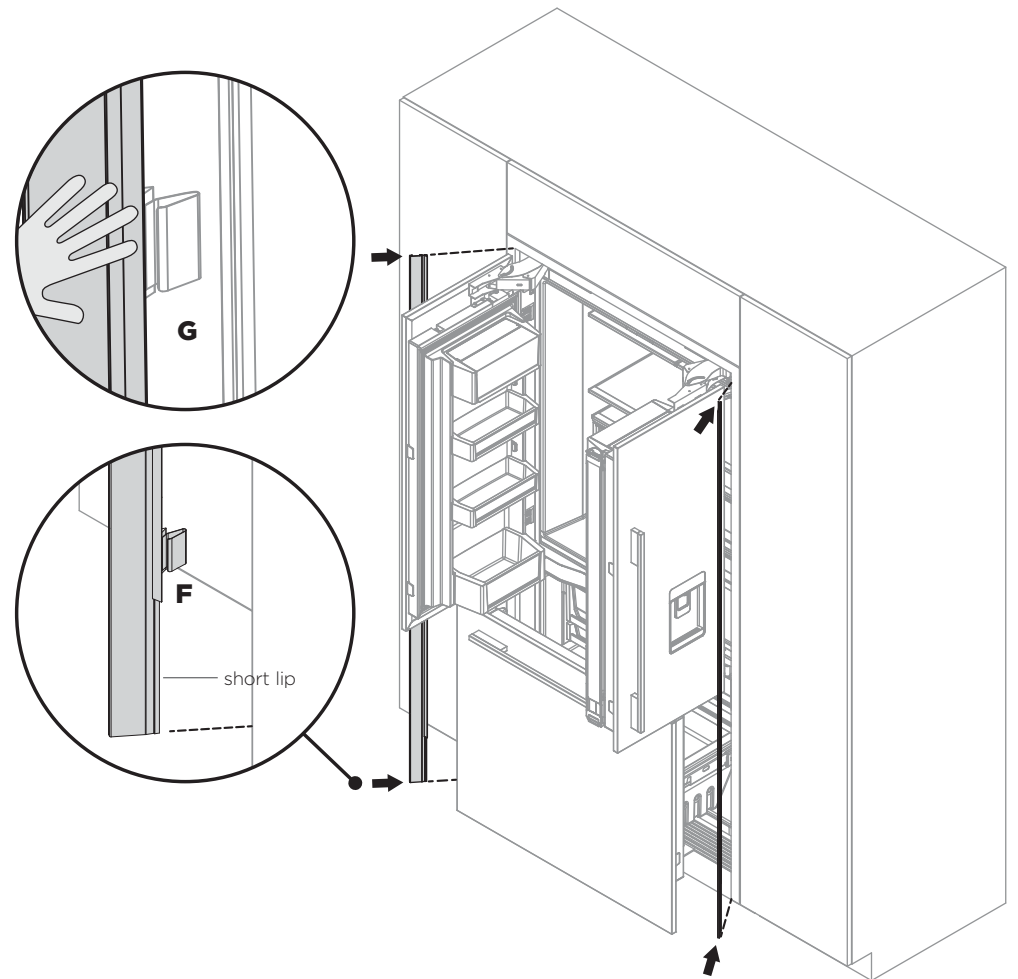
- ⑥ Open the French doors. Place the assembled side trim with brackets and spring clips against the alcove side wall with the shorter lip facing the bottom (F).

IMPORTANT!

Ensure the side trim is positioned as high as it will go.

Push the side trim at each bracket location until there are no visible gaps between the trim and cabinetry (G).

Repeat for all side trims.



CABINET TRIMS INSTALLATION – [B] FIXED SCREW METHOD

Internal box

D Cabinet side trim install kit

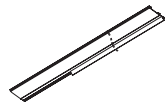


Side trim bracket (6)



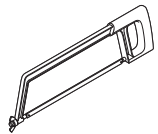
#8x16 mush washer screw (12)

External box

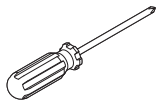


Cabinet side trim (2)

Tools



Hacksaw



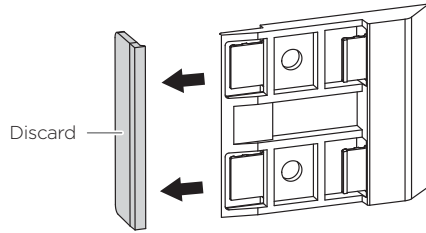
Cross-head screwdriver



Pencil

- ① Break off the datum lip to each side trim bracket and discard.

Repeat for all side trim brackets.



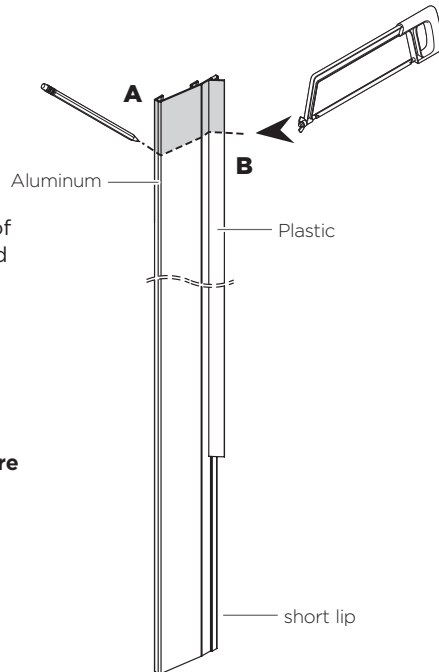
For 80" (2032 mm) cavity installation only

- ② Measure 4" (102mm) from the top of the side trim with a square ruler and mark a cutting line. (A)
- ③ Cut along the line using a fine tooth hacksaw to a length of 76" (1930mm). (B)

IMPORTANT!

- Ensure the cut is straight and square as this is an exposed surface.
- Ensure the plastic part does not bend as this can cause visual stress marks.

Repeat for the remaining side trim.

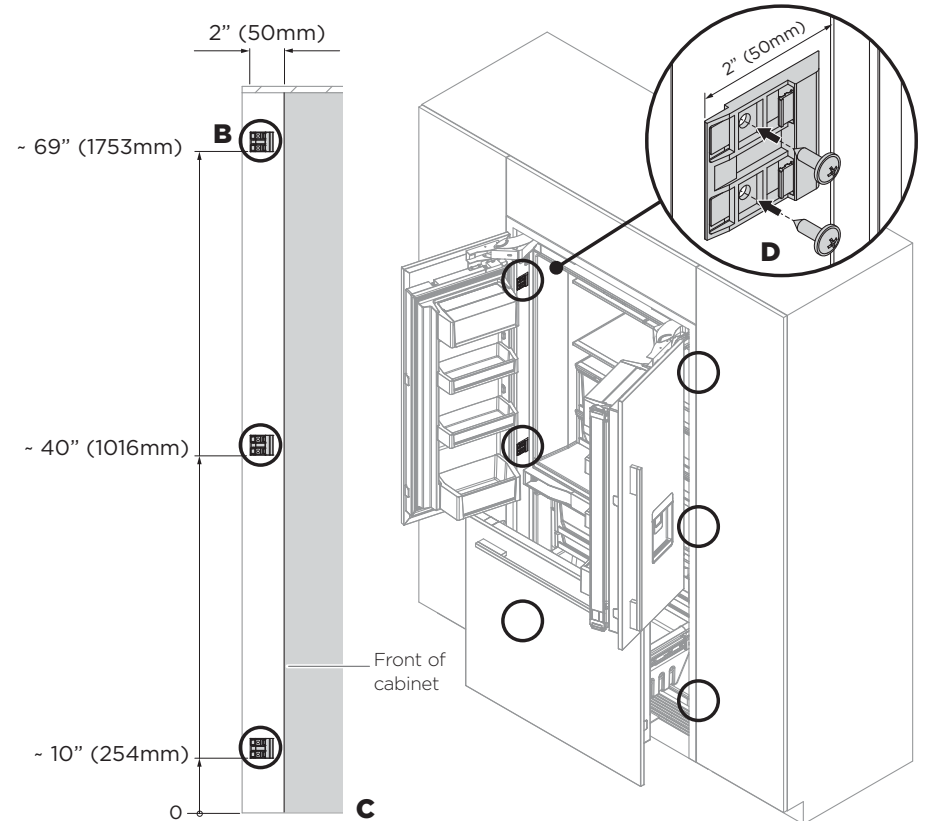


- ④ Position three side trim brackets on one side trim. Refer to (B) for bracket locations.
- ⑤ Open the French doors. Measure 2" (50mm) from the front of cabinet (from behind the doors), to the front of the alcove and accurately mark a vertical line (C).
- ⑥ Align the bracket edge with the marked line and fix the bracket to the cabinetry with #8x16 mush washer screws (D).

Repeat on the opposite side.

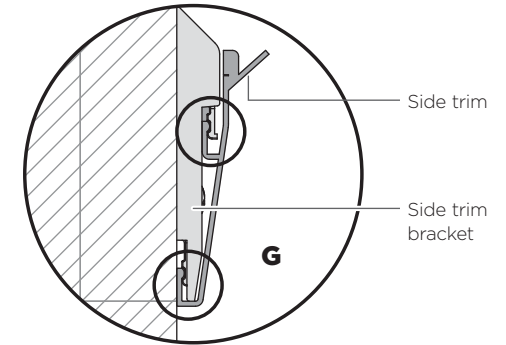
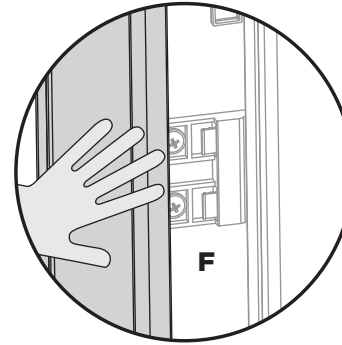
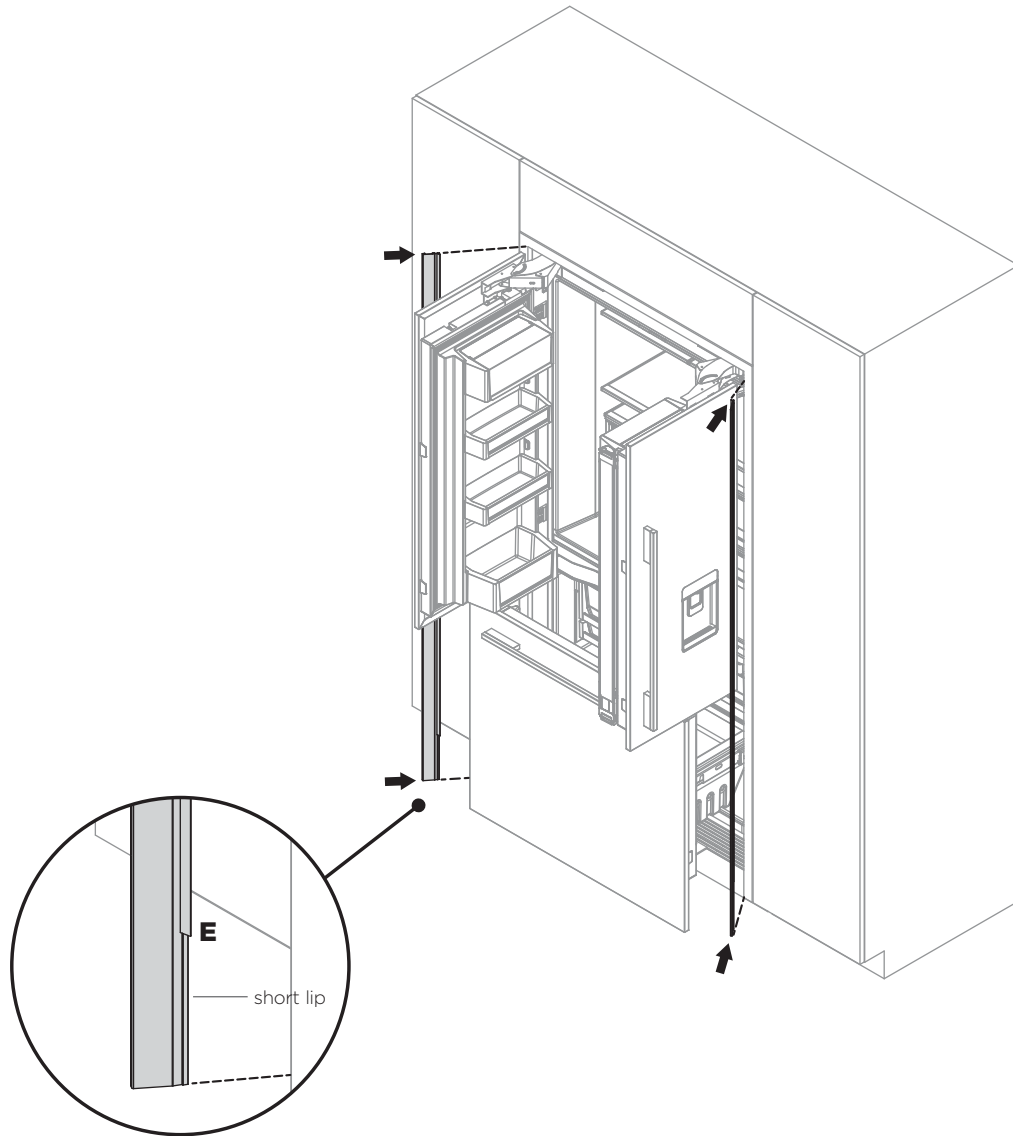
IMPORTANT!

Inaccurate positioning of bracket can result in inability to fit side trim or gaps between side trim and refrigerator.



CABINET TRIMS INSTALLATION – [B] FIXED SCREW METHOD

- ⑦ Place the side trim against the alcove side wall with the shorter lip facing the bottom (**E**).
- Ensure the side trim is positioned as high as it will go.



Top view of side trim engaged correctly in side trim bracket

- ⑧ Engage the side trim with the brackets by pushing the trim inwards at the locations of the top and middle side trim brackets.
- ⑨ Once the trim has engaged with top and middle brackets, push and engage the side trim at the location of the bottom bracket (**F**).

Repeat for the remaining side trims.

IMPORTANT!

- Each bracket has two engagement points for the trim to locate. Ensure the trim is engaged at both points (**G**).
- Ensure there are no visual gaps between the appliance and side trims.
- Adjust the gaps by loosening the side trim screws and moving the trim within clearance. If further adjustment is required, relocate brackets to desired position.

FINAL CHECKLIST



TO BE COMPLETED BY THE INSTALLER

All models

- Ensure all internal and external packaging is removed from the appliance before use.
- Check all parts are installed.
- Ensure the appliance is level.
- Ensure the appliance is securely fastened to the cabinetry with the supplied anti-tip bracket and fittings.
- Ensure the doors/drawer can open and close freely with no resistance from surrounding cabinetry.
- Ensure hinge limiting pin is fitted for 90° door swing.

Ice & Water models only

- Ensure the water filtration system has been flushed.
- Ensure a manual ice maker cycle has been forced.

Complete and keep for safe reference:

Model _____

Serial No. _____

Purchase Date _____

Purchaser _____

Dealer Address _____

Installer's Name _____

Installer's Signature _____

Installation Company _____

Installation Date _____

© Fisher & Paykel Appliances 2024. All rights reserved.

The models shown in this guide may not be available in all markets and are subject to change at any time.

The product specifications in this guide apply to the specific products and models described at the date of issue. Under our policy of continuous product improvement, these specifications may change at any time.

For current details about model and specification availability in your country, please go to our website or contact your local Fisher & Paykel dealer.

844183D 12.24